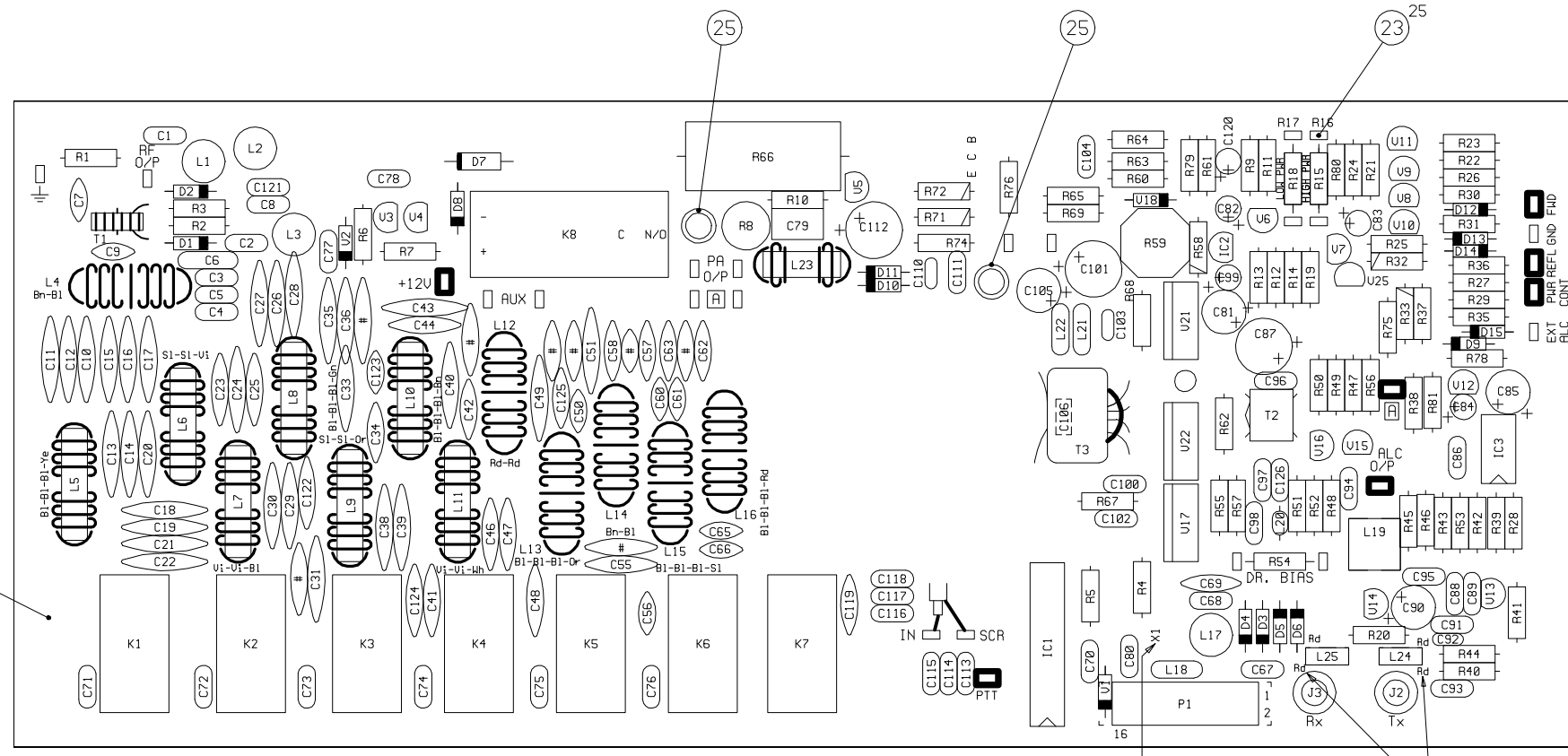
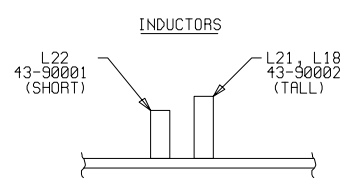


CHANGE REQUEST
 ISSUE 8:
 C/R 24547
 L14 WAS 44-70481
 NJA 15-5-96
 ISSUE 1:
 C/R 24691
 L13 WAS 44-70460
 L14 CODE WAS
 B1-B1-B1-U1
 DETAIL D: U21 &
 U22 WERE MRF260
 NJA 12-8-96
 ISSUE 2:
 C/R 24666
 C/R 24779
 PCB WAS 07-01533
 ISSUE 6:
 NOTE 5 (SHT 3)
 CHANGED.
 8-1-97 ARU
 ISSUE 3:
 C/R 24945
 PCB WAS ISS. 1
 C9, C49, C50 & U2
 MOVED, DETAIL E
 SHOWED MRF260
 25-3-97 NJA
 ISSUE 4:
 PCB NOW
 07-01778-03
 C/R 25147
 11-09-97 BCL
 ISSUE 5:
 R34 ROTATED.
 PCB WAS -09
 C/R 25329
 13-05-98 NJA
 ISSUE 6:
 T4 ASSY MOVED
 PCB WAS ISS -04
 C/R 25539
 ITEM 9 DELETED.
 C/R 25542
 C1 MOVED
 C/R 25585
 PB 28-9-98



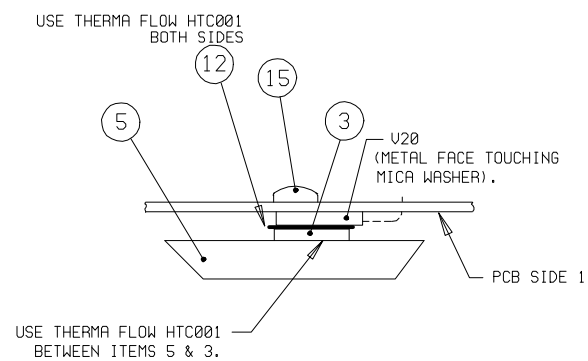
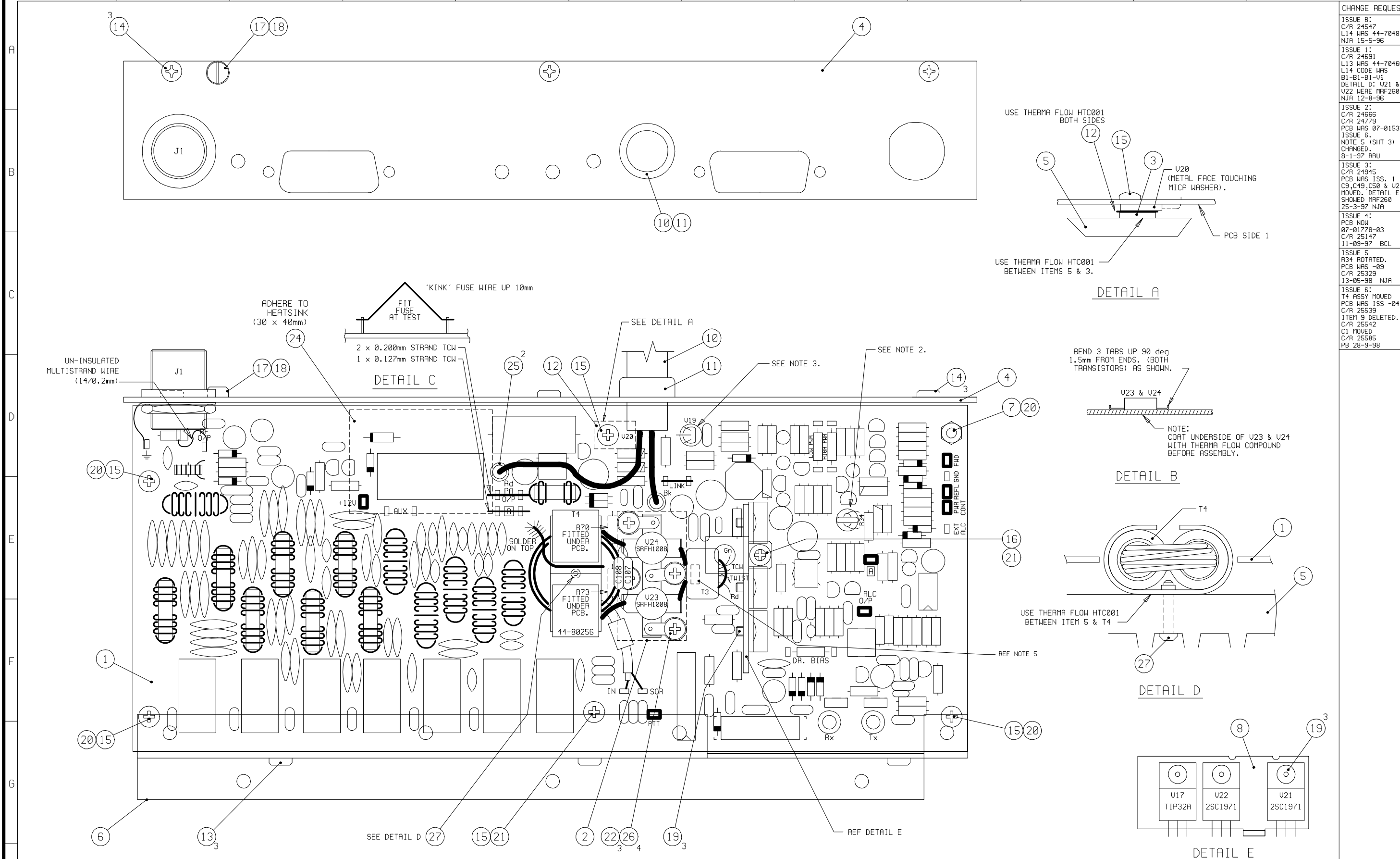
DENOTES: NOT FITTED.

- NOTES:
 1. RESISTORS SHOWN ARE 2%
 2. SECURE ALL TOROIDAL INDUCTORS TO PCB, USING JET MELT.
 3. DIODES ARE 23-10001, OR EQUIVALENT, UNLESS OTHERWISE STATED.
 4. ASSEMBLE L24 & L25 WITH RED WIRES AS SHOWN.

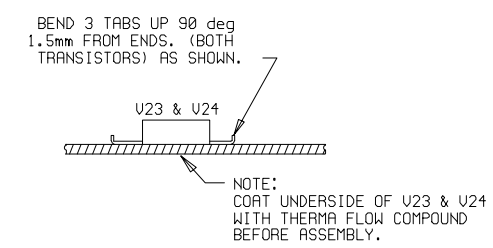
PCB 07-01778-05
 ASSY 08-05237-001

FILE NAME
 07\1778_5

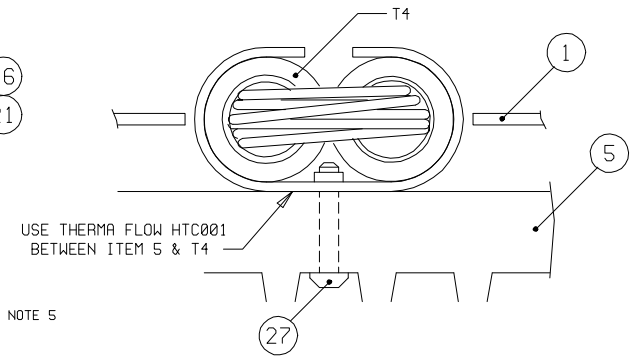
	DWN. C G CHKD. NJA APPD. NJA	SCALE 2:1 DATE 17-11-95 20-2-96 12-8-96	© CODAN PTY LTD, A.C.N. 007 590 605, 1995 PA & FILTER (30MHz) PCB ASSEMBLY	
	FINISH	TOLERANCES UNLESS OTHERWISE STATED 2 PLACES DEC ± 1 PLACE DEC ± ANGULAR ±	DRAWING/DOC No. A1 08-05237	SHT 2 OF 3 1 2 3 4 5 6



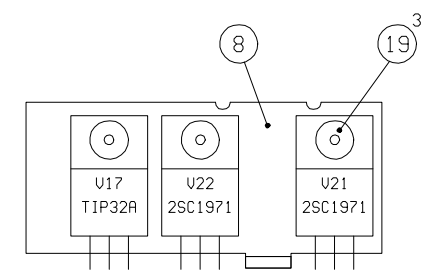
DETAIL A



DETAIL B



DETAIL D



DETAIL E

- NOTES:
1. ALL LINKS ARE 22 SWG.
 2. FIT HEATSHRINK SLEEVE (ITEM 28) x 8mm OVER R34, ENSURING THAT THE TOP IS COVERED. COAT WITH THERMOFLOW COMPOUND, INSERT INTO HEATSINK (ITEM 5) & SOLDER.
 3. COAT U19 WITH THERMOFLOW COMPOUND, INSERT INTO HEATSINK & SOLDER.
 4. C107 & C108 ARE 180p.
 5. C106 (1n SMT CAPACITOR) IS MOUNTED UNDER T3 & FITTED AFTER ATE TEST.
 7. ITEM 13(6 OFF), ITEM 14(2 OFF), ITEM 29(1 OFF) & ITEM 32 ARE OFFSET DELIVERY AND ARE FITTED AT FINAL ASSEMBLY (REF 08-04961-XXX).

PCB 07-01778-05
ASSY 08-05237-001

CHANGE REQUEST

ISSUE 8:
C/R 24547
L13 WAS 44-70481
NJ 15-5-96

ISSUE 1:
C/R 24691
L13 WAS 44-70460
L14 CODE WAS
B1-B1-B1-01
DETAIL D: U21 &
U22 WERE MRF260
NJ 12-8-96

ISSUE 2:
C/R 24666
C/R 24779
PCB WAS 07-01533
ISSUE 6:
NOTE 5 (SHT 3)
CHANGED:
8-1-97 ARU

ISSUE 3:
C/R 24945
PCB WAS ISS. 1
C9, C49, C50 & U2
MOVED. DETAIL E
SHOWED MRF260
25-3-97 NJ

ISSUE 4:
PCB NOW
07-01778-03
C/R 25147
11-09-97 BCL

ISSUE 5:
R34 ROTATED.
PCB WAS -09
C/R 25329
13-05-98 NJ

ISSUE 6:
T4 ASSY MOVED
PCB WAS ISS -04
C/R 25539
ITEM 9 DELETED.
C/R 25542
C1 MOVED
C/R 25585
PB 28-9-98

FILE NAME
07\1778_5

CODAN	SCALE 2:1	© CODAN PTY LTD, A.C.N. 007 590 605, 1995
	DRN. C G DATE 17-11-95	
MATERIAL	CHKD. NJA DATE 20-2-96	PA & FILTER (30MHz) PCB ASSEMBLY
FINISH	APPD. NJA DATE 12-8-96	DRAWING/DOC No. 08-05237
TOLERANCES UNLESS OTHERWISE STATED		ISS
2 PLACES DEC ±		1 2 3 4 5 6
1 PLACE DEC ±		SHT 3 OF 3
ANGULAR ±		