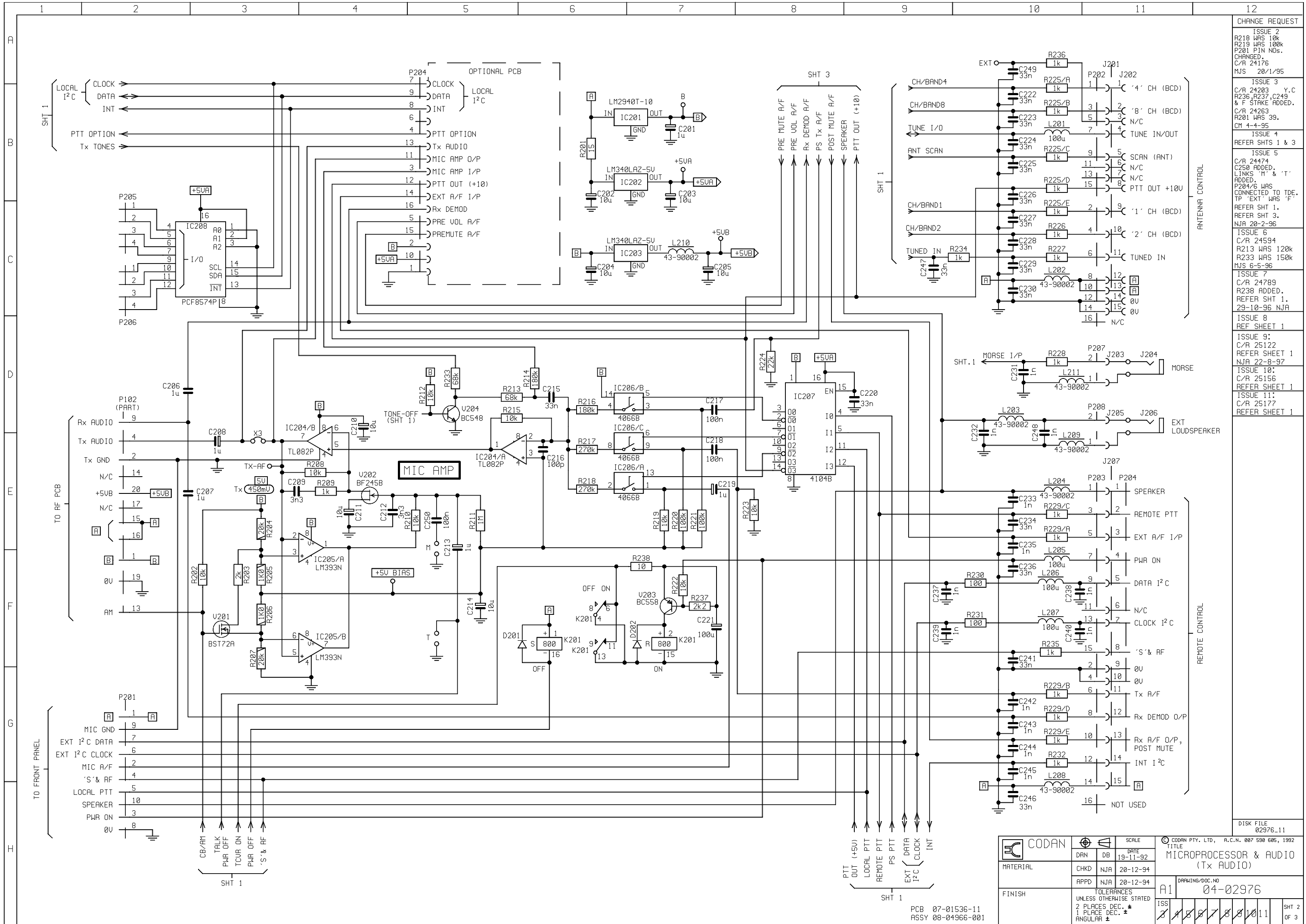


CHANGE REQUEST	
ISSUE 2	REF SHTS 2 & 3
ISSUE 3	C/R 24203 Y.C REF SHTS 2 AND 3
ISSUE 4	C/R 24276 REFER SHT 3
ISSUE 5	C/R 24295 CHGS IC101, & IC103.
ISSUE 6	C/R 24310 REFER SHT 3 MJS 7-7-95
ISSUE 7	C/R 24474 SIGNAL A17 WAS TDE. C109 WAS CONNECTED TO GND R159 MOVED. R149 WAS CONNECTED TO +5VA.
ISSUE 8	REFER SHT 2 REFER SHT 3 NJA 20-2-96
ISSUE 9	C/R 24594 REFER SHT 2 MJS 6-5-96
ISSUE 10	C/R 24789 L03 DELETED. REFER SHT 2. 29-10-96 NJA
ISSUE 11	C/R 25122 C135 (1u SMD) ADDED. NJA 22-8-97
ISSUE 12	C/R 25156 C114, D105, D111 R124-R126, R154 R161 DELETED. C136 & IC117 ADDED. PCB WAS ISSUE 09. NJA 26-9-97
ISSUE 13	C/R 25177 PCB WAS ISS 10 4-11-97

CODAN		SCALE	CODAN PTY. LTD., A.C.N. 007 590 605, 1992	
MATERIAL	CHKD	DATE	TITLE	
FINISH	NJA	20-12-94	MICROPROCESSOR & AUDIO (MICRO & I/O)	
TOLERANCES		APPD	DRAWING/DOC NO	
UNLESS OTHERWISE STATED		NJA	04-02976	
2 PLACES DEC. *		ISS		
1 PLACE DEC. *		11		
ANGULAR ±		SHT 1		
		OF 3		



CHANGE REQUEST	
ISSUE 2	R218 WAS 10k
	R219 WAS 100k
	P201 PIN NOS. CHANGED.
	C/R 24176
	MJS 20/1/95
ISSUE 3	C/R 24203 Y.C
	R236, R237, C249, & F STRIKE ADDED.
	C/R 24263
	R201 WAS 39.
	CM 4-4-95
ISSUE 4	REFER SHTS 1 & 3
ISSUE 5	C/R 24474
	C250 ADDED.
	LINKS 'M' & 'T' ADDED.
	P204/S WAS CONNECTED TO TDE.
	TP 'EXT' WAS 'F'.
	REFER SHT 1.
	REFER SHT 3.
	NJA 20-2-96
ISSUE 6	C/R 24594
	R213 WAS 120k
	R233 WAS 150k
	MJS 6-5-96
ISSUE 7	C/R 24789
	R238 ADDED.
	REFER SHT 1.
	29-10-96 NJA
ISSUE 8	REF SHEET 1
ISSUE 9:	C/R 25122
	REFER SHEET 1
	NJA 22-8-97
ISSUE 10:	C/R 25156
	REFER SHEET 1
ISSUE 11:	C/R 25177
	REFER SHEET 1

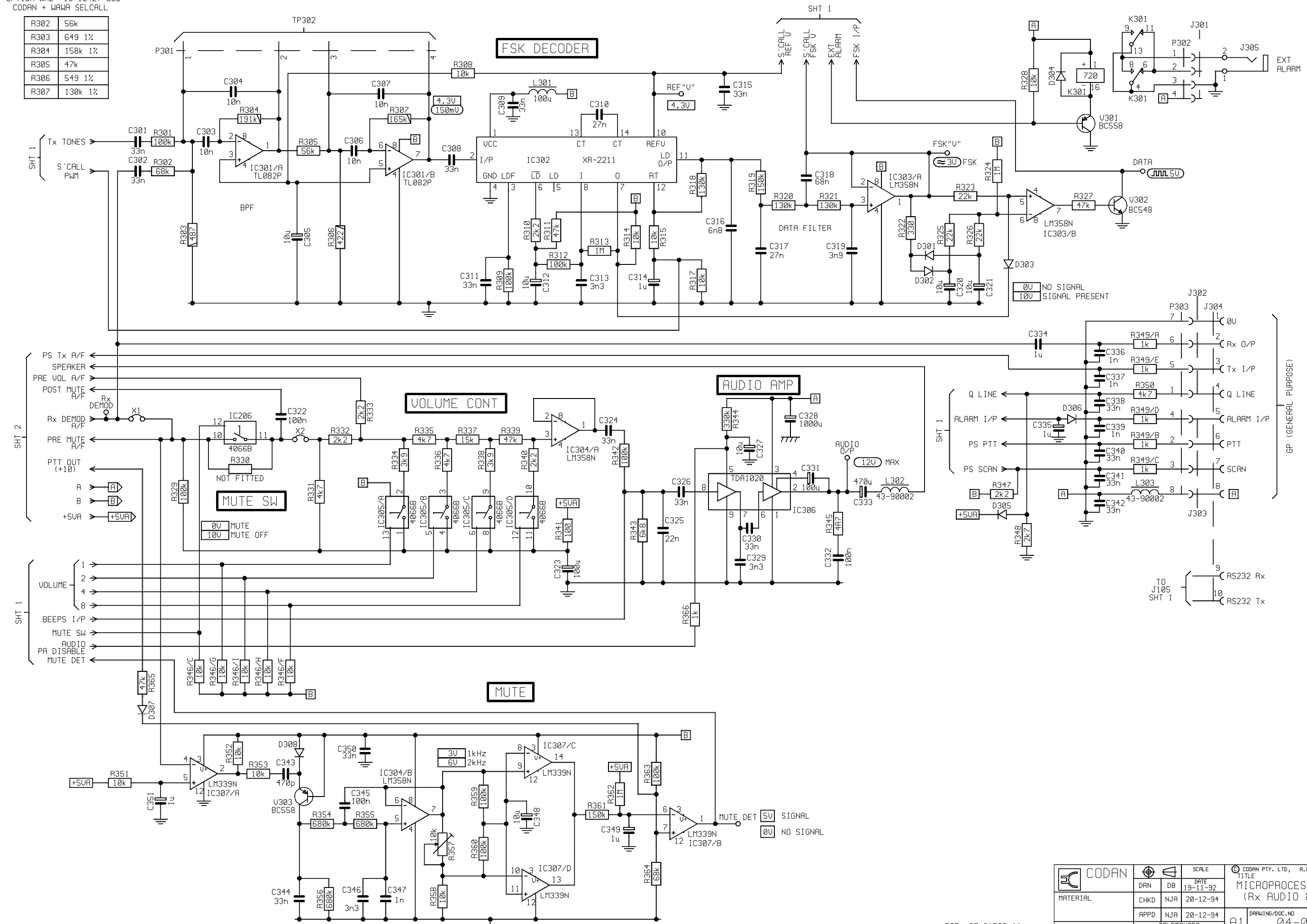
DISK FILE	
02976_11	

	SCALE	DATE	CODAN PTY. LTD., A.C.N. 007 530 605, 1992 <b>MICROPROCESSOR &amp; AUDIO</b> <b>(Tx AUDIO)</b>
	DRAWN	19-11-92	
MATERIAL	CHKD	NJA	20-12-94
FINISH	APPD	NJA	20-12-94
TOLERANCES UNLESS OTHERWISE STATED		DRAWINGS/DOC. NO	
2 PLACES DEC. * 1 PLACE DEC. *		A1 04-02976	
ANGULAR ±		ISS	SHT 2 OF 3

PCB 07-01536-11  
ASSY 08-04966-001

OPTION WA2 15-10427-000  
CODAN + WAWA SELCALL

R302	56k
R303	649 1%
R304	158k 1%
R305	47k
R306	549 1%
R307	130k 1%



CHANGE REQUEST

ISSUE 2  
OPTION WA2  
TABLE ADDED.  
C/R 24176  
MJS 20/1/95

ISSUE 3  
R365 WAS 100k.  
D307 CATHODE WAS  
CONNECTED TO  
IC307 PIN 5.  
C/R 24203  
C M 4-4-95

ISSUE 4  
R361 WAS 3k9  
C/R 24276  
J306 (EXT ALARM)  
ADDED.  
C/R 24310  
MJS 7-7-95

ISSUE 5  
C/R 24474  
C351 ADDED  
R361 WAS 100k  
REFER SHT 1.  
REFER SHT 2.  
NJA 20-2-96

ISSUE 6  
C/R 24594  
REFER SHT 2  
MJS 6-5-96

ISSUE 7  
C/R 24789  
REFER SHT'S  
1 & 2

ISSUE 8  
REF SHEET 1

ISSUE 9:  
C/R 25122  
REFER SHEET 1  
NJA 22-8-97

ISSUE 10:  
C/R 25156  
REFER SHEET 1

ISSUE 11:  
C/R 25177  
REFER SHEET 1

GP (GENERAL PURPOSE)

TO J105 SHT 1

RS232 Rx

RS232 Tx

PCB 07-01536-11  
ASSY 08-04966-001

MATERIAL	DRN	DB	SCALE	CODAN PTY. LTD., A.C.N. 007 590 605, 1992
	CHKD	NJA	DATE 19-11-92	
FINISH	APPD	NJA	DATE 20-12-94	DRAWING/DOC. NO 04-02976
	TOLERANCES UNLESS OTHERWISE STATED			
2 PLACES DEC. ±			1 PLACE DEC. ±	ANGULAR ±
				SHT 3 OF 3