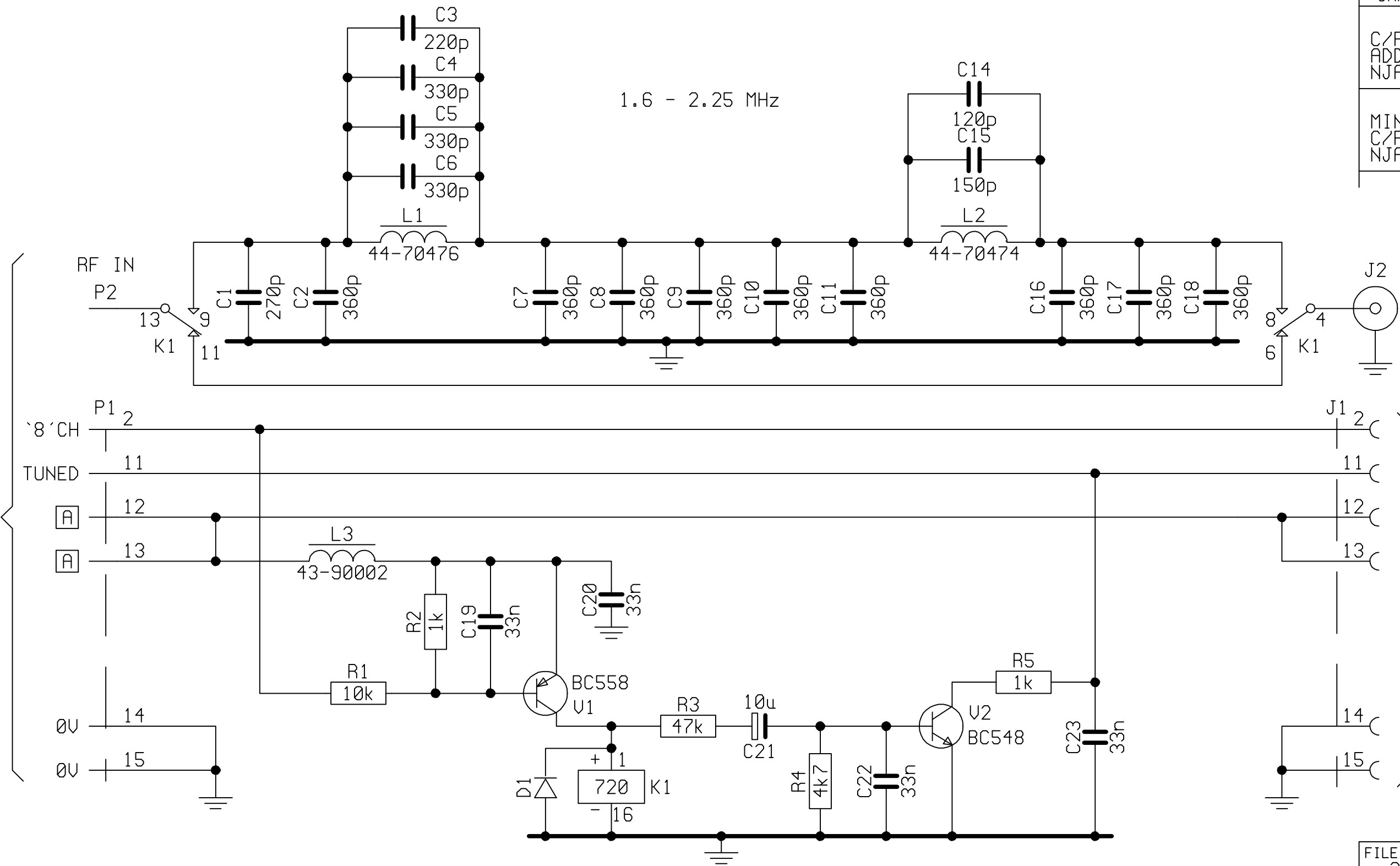


CHANGE REQUEST
ISSUE B
C/R 24530
ADDED LABELS
NJA 17-05-96
ISSUE 1
MINOR CHANGES
C/R 24691
NJA 12-8-96



ANTENNA

ANTENNA CONTROL

TRANSCEIVER

NOTE:
ALL PINS FROM P1
CONNECT THROUGH TO J1

ASSY 08-05227-001
PCB 07-01731

FILE NAME
3093_1.SCH

	DRN	AML	SCALE	© CODAN PTY. LTD, A.C.N. 007 590 605, 1995			
	CHKD	EF	DATE 26-10-95	TITLE FILTER, LOW PASS (1.6MHz)			
	APPD	NJA	12-8-96	DRAWING/DOC.NO A3 04-03093			
FINISH	TOLERANCES UNLESS OTHERWISE STATED 2 PLACES DEC. ± 1 PLACE DEC. ± ANGULAR ±			ISS	1		SHT 1 OF 1