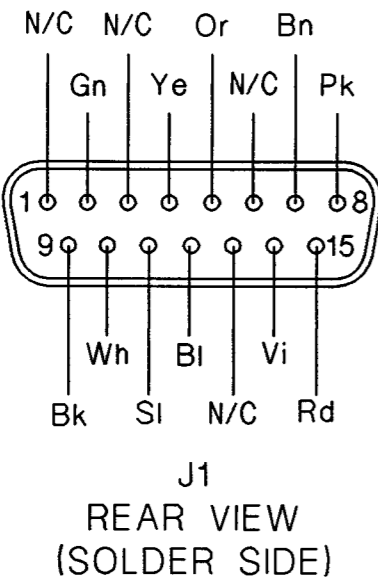
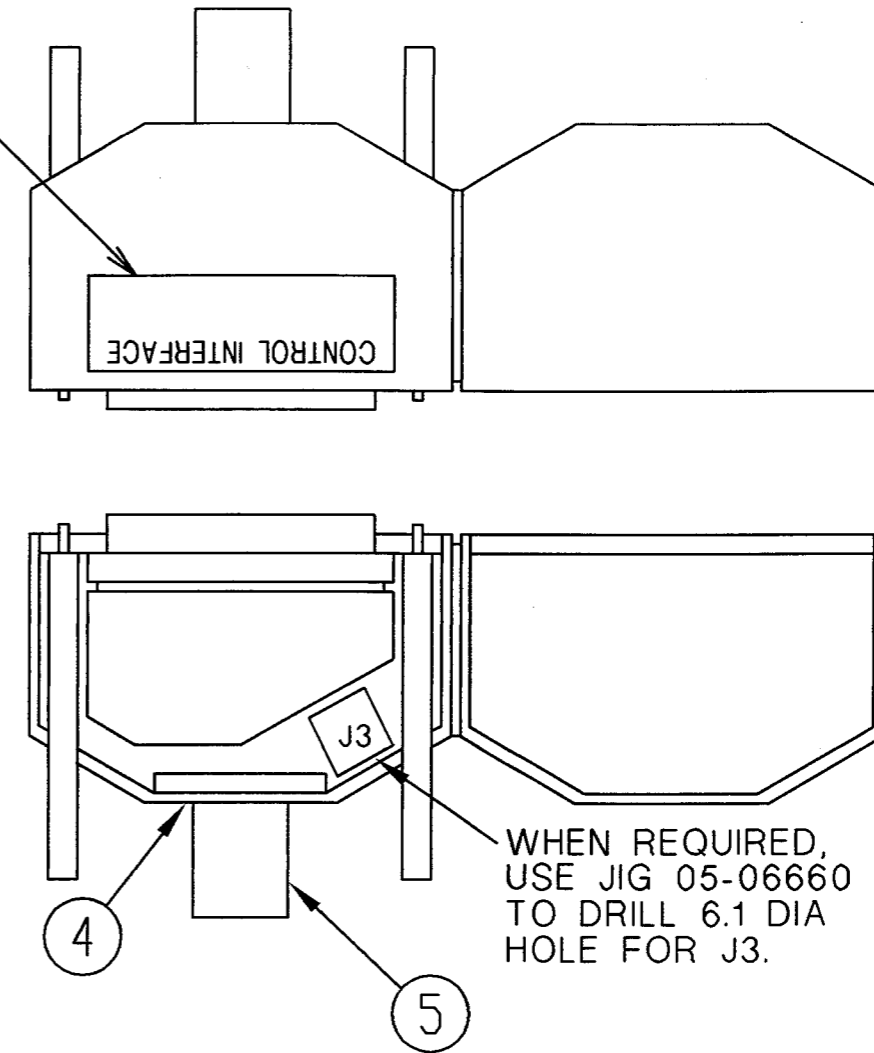
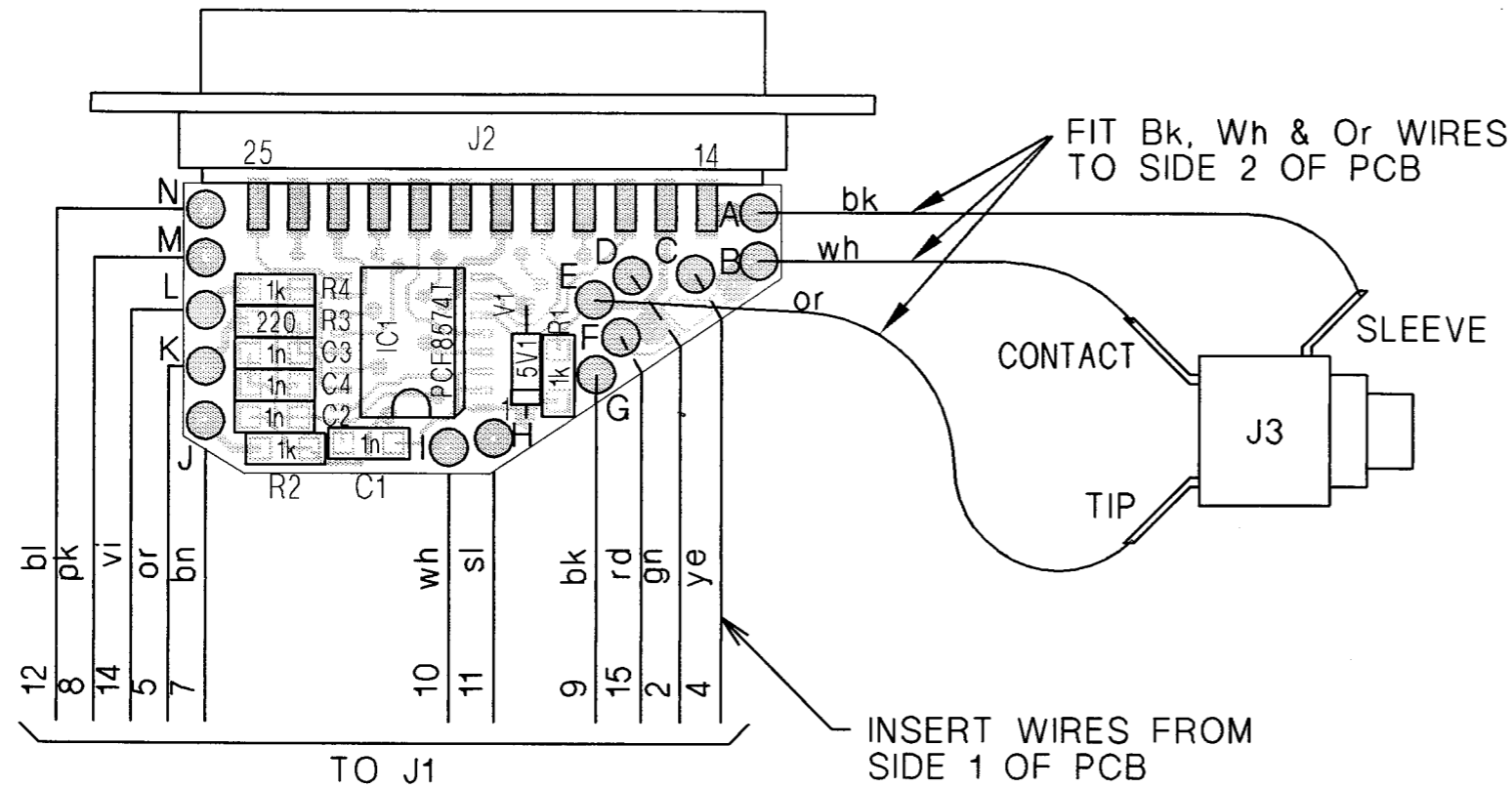


DO NOT SCALE



PCB	COLOUR	J1	J3
A	Bk		Sleeve
B	Wh		Contact
C	Ye	4	
D	Gn	2	
E	Or		Tip
F	Rd	15	
G	Bk	9	
H	Sl	11	
I	Wh	10	
J	Bn	7	
K	Or	5	
L	Vi	14	
M	Pk	8	
N	Bl	12	

PCB : 07-01643

ASSEMBLY	08-04973-001	SHEET 1
	08-04973-002	SHEET 2

MASTER

IF NOT IN RED CHECK STATUS



FILE No. 08\04973_3.DWG

APPLICATION NOTE:
THE FOLLOWING IS REQUIRED WITHIN THE IPC-500B OR EARLIER SERIES INTERCONNECT CHASSIS:

1. FOR NORMAL CHANNEL SELECTION (CHL1...15), FIT LINK JP6.
2. FOR OFFSET CHANNEL SELECTION (CHL81...95), REMOVE LINK JP6.
3. J7/11 MUST BE CONNECTED TO J7/25.

DIMENSIONS IN mm

	SCALE 2:1		© CODAN PTY LTD, A.C.N. 007 590 605: 2000 TITLE	
	DRN	YC	DATE 30-4-93	
MATERIAL	CHKD	IBW	22-5-93	
FINISH	APPD	CM	19-1-94	
	TOLERANCES UNLESS OTHERWISE STATED		A3	DRAWING/DOC NO. 08-04973
2 PLACES DEC. ±0.10		ISS		
1 PLACE DEC. ±0.5			1	OF 2
0 PLACE DEC. ±1				

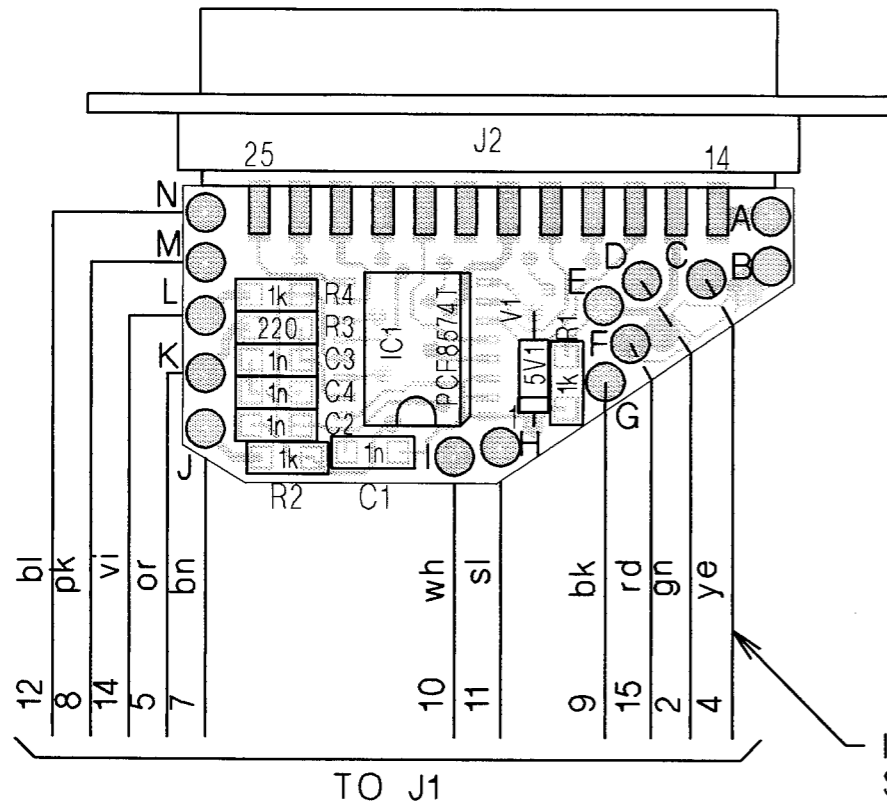
ISSUE CHANGE

ISSUE 1:
C/R 23829
NOTE 2 WAS 'FIT LINK JP2'
CM 19-1-94

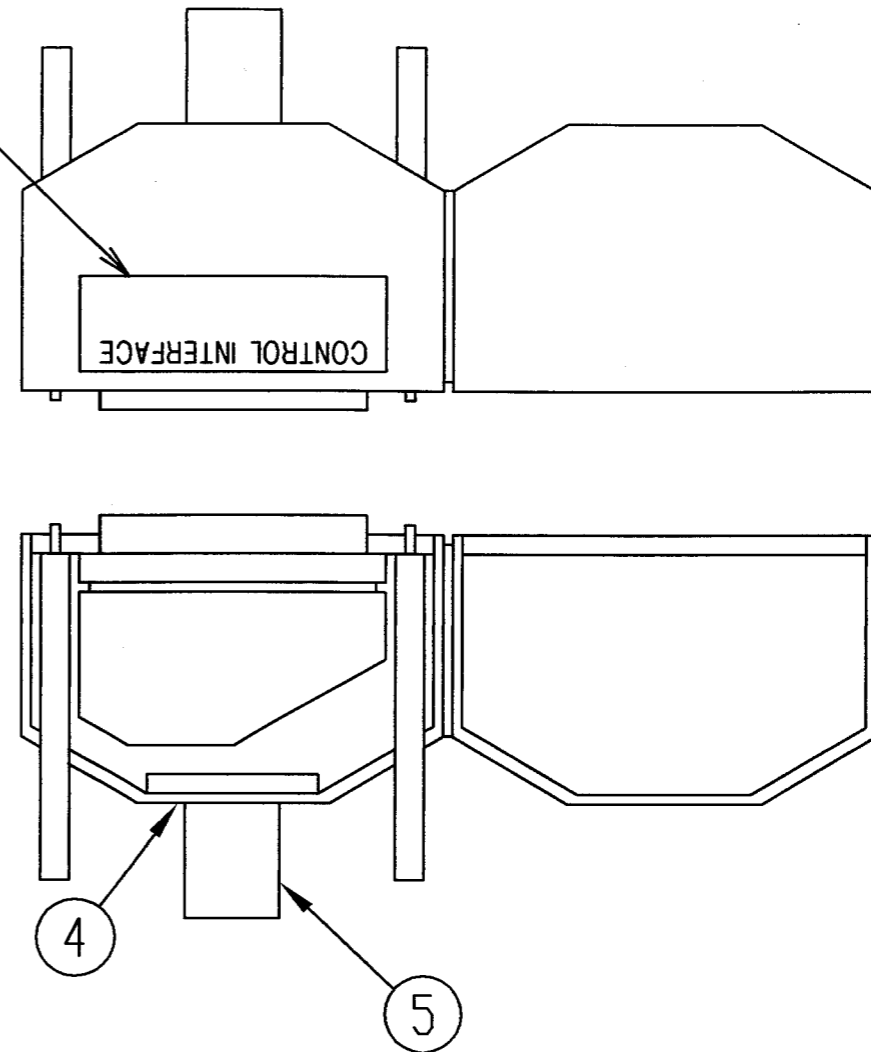
ISSUE 2:
C/R 24269
APPLICATION NOTE CHANGE
AMJ 11-4-95

ISSUE 3:
VARIANTS SPLIT INTO A SHT PER VARIANT.
CONNECTION LABELS DELETED.
WIRE TABLE ADDED.
C/R 26496
19/5/00

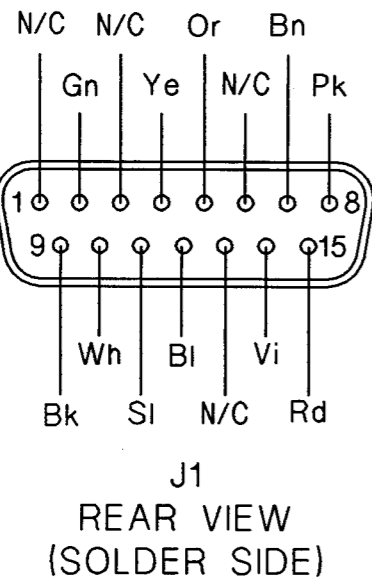
DO NOT SCALE



FIT LABEL, ITEM 2 AS SHOWN



ASSEMBLY DETAIL



PCB	COLOUR	J1
A		
B		
C	Ye	4
D	Gn	2
E		
F	Rd	15
G	Bk	9
H	Sl	11
I	Wh	10
J	Bn	7
K	Or	5
L	Vi	14
M	Pk	8
N	Bl	12

PCB : 07-01643

ASSEMBLY	08-04973-001	SHEET 1
	08-04973-002	SHEET 2

MASTER

IF NOT IN RED
CHECK STATUS



FILE No.
08\04973_3.DWG

APPLICATION NOTE:
THE FOLLOWING IS REQUIRED WITHIN THE IPC-500B OR EARLIER SERIES INTERCONNECT CHASSIS:

1. FOR NORMAL CHANNEL SELECTION (CHL1...15), FIT LINK JP6.
2. FOR OFFSET CHANNEL SELECTION (CHL81...95), REMOVE LINK JP6.
3. J7/11 MUST BE CONNECTED TO J7/25.

DIMENSIONS IN mm

			SCALE 2:1	© CODAN PTY LTD, A.C.N. 007 590 605: 2000 TITLE				
	DRN	YC	DATE 30-4-93	CONTROL INTERFACE ASSEMBLY				
MATERIAL	CHKD	IBW	DATE 22-5-93	DRAWING/DOC NO.				
	APPD	CM	DATE 19-1-94	08-04973				
FINISH	TOLERANCES UNLESS OTHERWISE STATED			A3	ISS			
	2 PLACES DEC.	±0.10	1 PLACE DEC.		±0.5	0 PLACE DEC.	±1	SHT. 1 OF 2
				1	2	3		

19/5/00

ISSUE CHANGE
ISSUE 1:
C/R 23829
NOTE 2 WAS
'FIT LINK JP2'
CM 19-1-94

ISSUE 2:
C/R 24269
APPLICATION
NOTE CHANGE
AMJ 11-4-95

ISSUE 3:
VARIANTS SPLIT INTO
A SHT PER VARIANT.
CONNECTION LABELS
DELETED.
WIRE TABLE ADDED.
C/R 26496