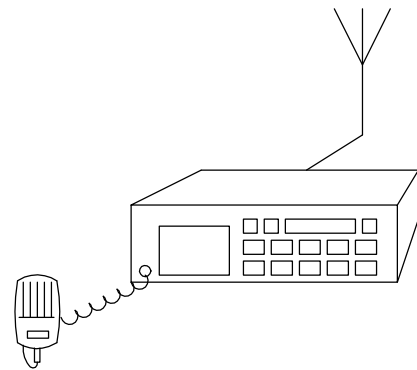


A

TYPICAL BASE INSTALLATIONS

B

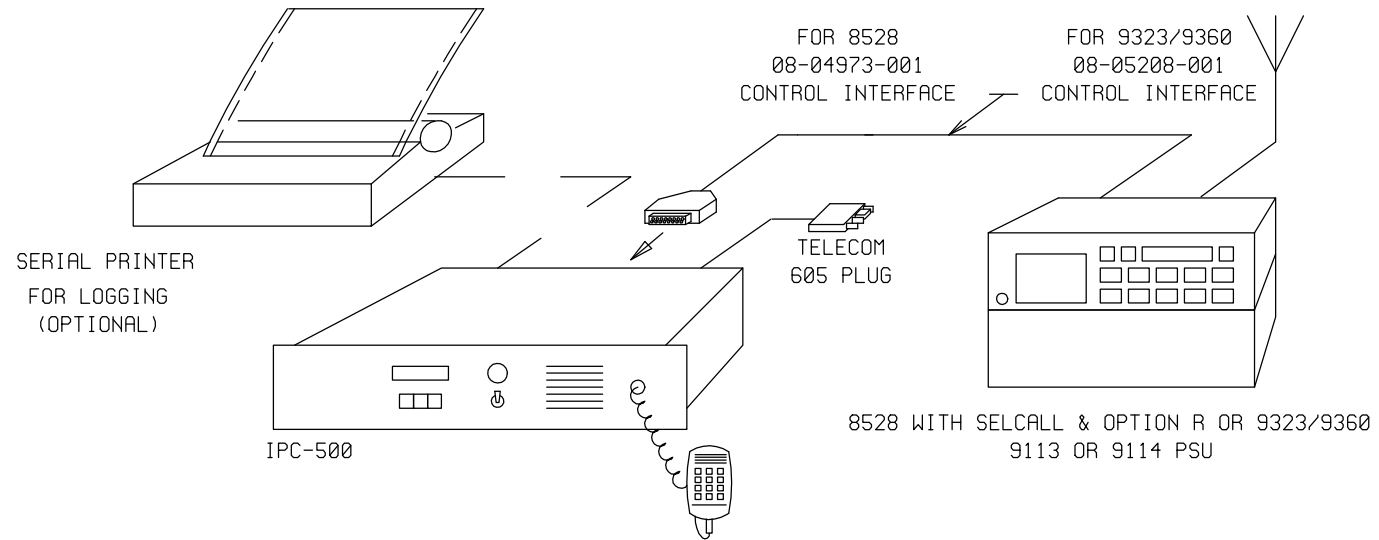
TYPICAL MOBILE INSTALLATION



8528 SERIES WITH SELCALL OR 93XX SERIES TRANSCEIVERS

C

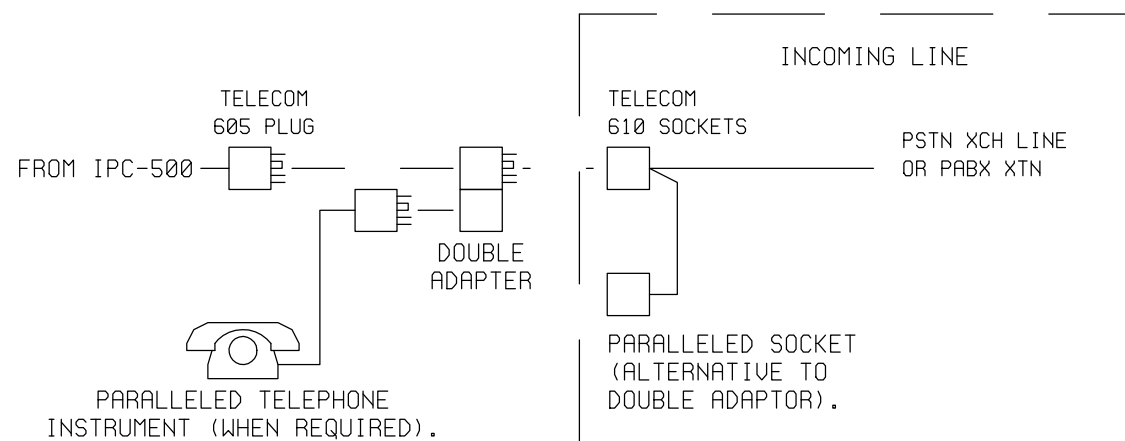
LOCAL TRANSCEIVER



D

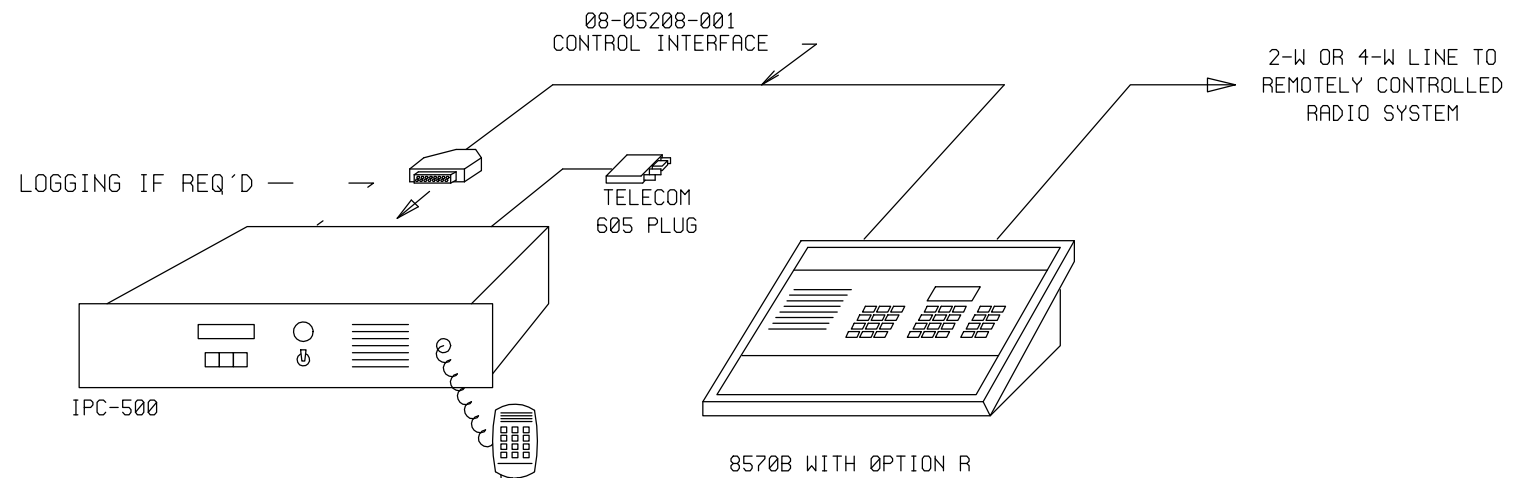
E

TELEPHONE LINE CONNECTION



F

REMOTE TRANSCEIVER



G

NOTE: 8570A SERIES REMOTE CONTROL CONSOLES REQUIRE 08-4973-002 CONTROL INTERFACE TOGETHER WITH AUSTEL APPROVED 12V 0.8A PLUG PACK.

H

ISSUE B
C/R 23628
08-04905()
CONTROL I/F'S
REPLACED WITH
08-04973-()
PLUG PACK
RATING WAS
500mA.
IBW 30-4-93

ISSUE C
C/R23714
605 PLUGS
WERE 604
TELEPHONE LINE
CONNECTION
DIAGRAM
REVISED.
IBW 2-8-93

ISSUE 1:
C/R 24181
PSU WAS 8540B.
9323 ADDED.
REMOTE TCVR
CONTROL I/FACE
WAS 08-04973-
002 WITH 12V
PLUG PACK.
IBW 15-02-95

ISSUE 2
C/R 24534
08- NOTES WERE
08-04973-001.
93XX NOTES ADDED.
AMJ 13-03-96

DISC FILE
00877--2.SCH

CODAN	SCALE		COPYRIGHT © CODAN PTY. LTD. A.C.N. 007 590 605	
	DRN	APJ	TITLE	
	DATE		TELEPHONE INTERCONNECT	
MATERIAL	CHKD	AMJ	SYSTEM CONFIGURATIONS	
FINISH	APPD	IBW	DRAWING/DOC.NO	
	TOLERANCES		A3 03-00877	
	UNLESS OTHERWISE STATED		ISS	
2 PLACES DEC. ±		1	2	SHT 1
1 PLACE DEC. ±				OF 1
ANGULAR ±				