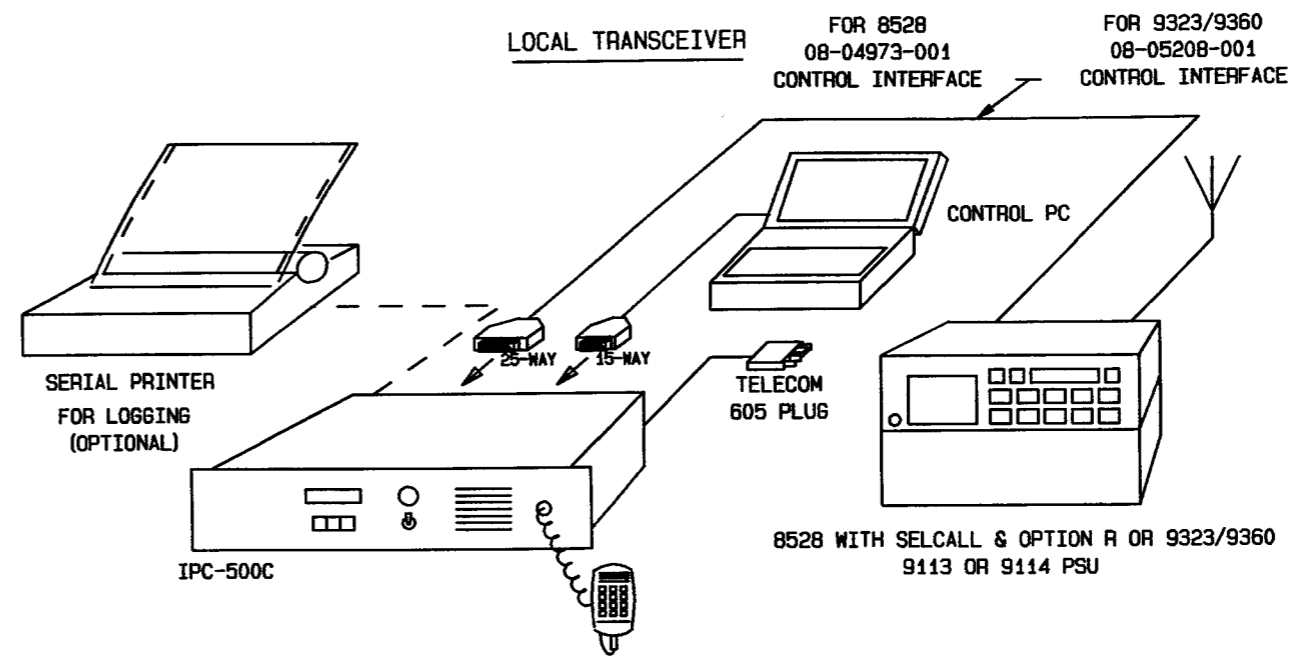
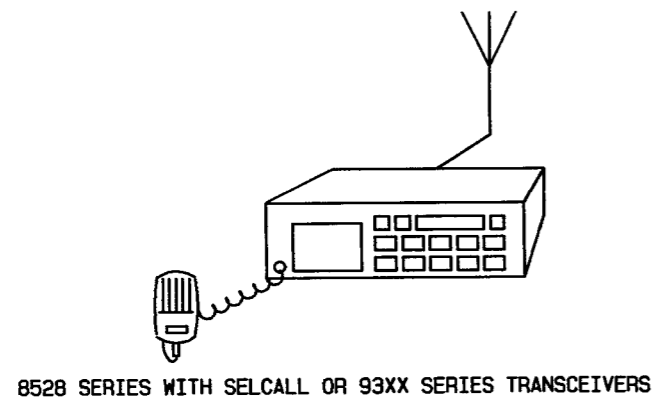


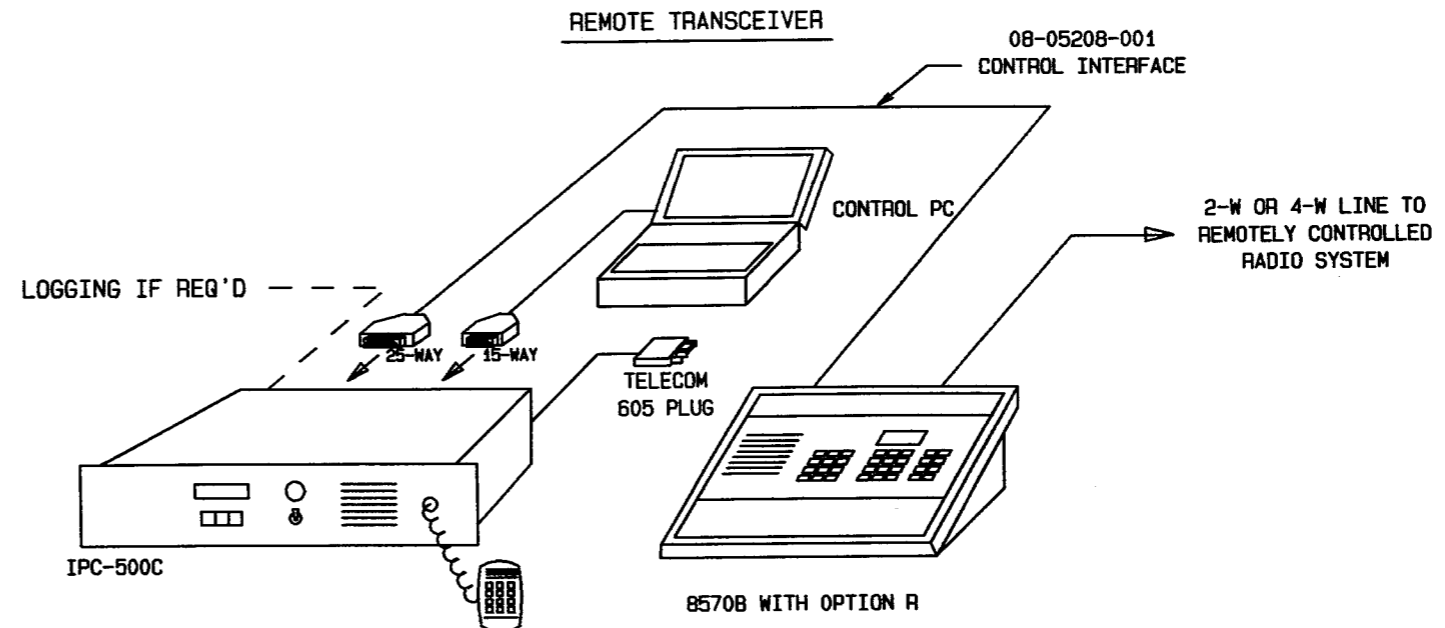
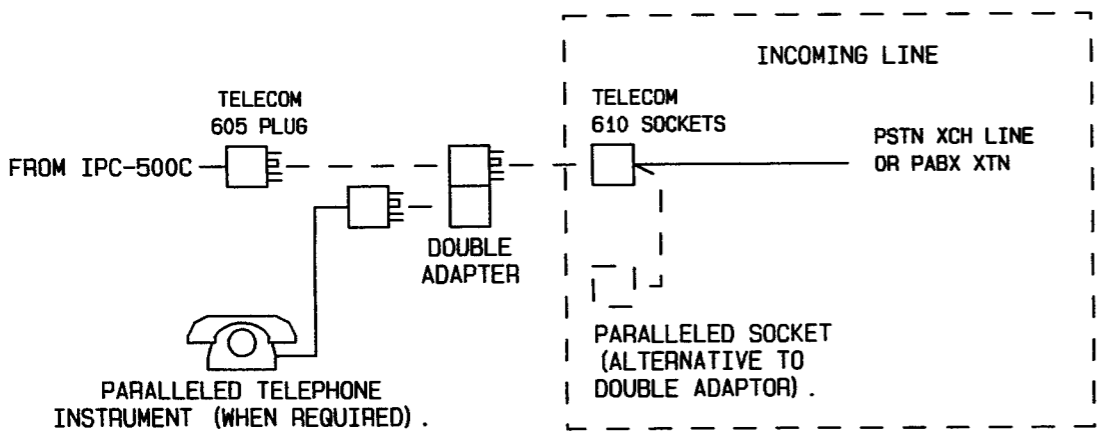
ISSUE 2
 C/R 24534
 08- NOTES WERE
 08-04973-001.
 93.. NOTES ADDED.
 Am J 13-03-96

TYPICAL BASE INSTALLATIONS

TYPICAL MOBILE INSTALLATION



TELEPHONE LINE CONNECTION



NOTE: 8570A SERIES REMOTE CONTROL CONSOLES REQUIRE
 08-4973-002 CONTROL INTERFACE TOGETHER WITH
 AUSTEL APPROVED 12V 0.8A PLUG PACK.

DISC FILE
 00932_2.SCH

CODAN	SCALE	COPYRIGHT © CODAN PTY. LTD. A.C.N. 007 590 605	
	DRN	APJ/C 6	DATE 10-3-95
	MATERIAL	CHKD IBW	DATE 11-4-95
	APPD CM	DATE 11-5-95	
FINISH	TOLERANCES UNLESS OTHERWISE STATED		DRAWING/DOC. NO A3 03-00932
	2 PLACES DEC. ± 1 PLACE DEC. ± ANGULAR ±		
	ISS	2	SHT 1 OF 1