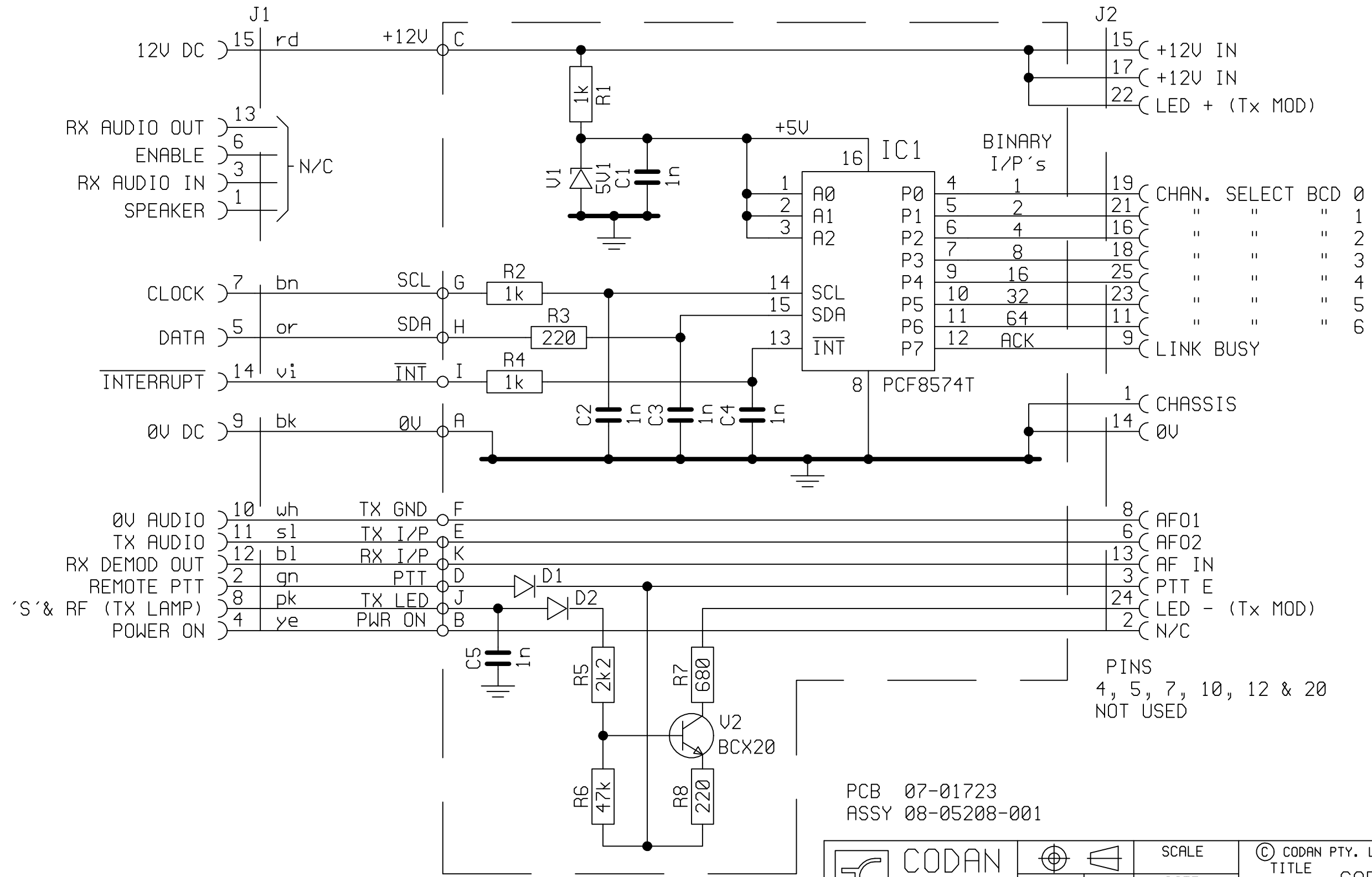


TRANSCIEIVER



IPC-500

PINS
4, 5, 7, 10, 12 & 20
NOT USED

PCB 07-01723
ASSY 08-05208-001

DISC FILE
3086_1.SCH

NOTE: D1 & D2 ARE BAS16.

			SCALE	© CODAN PTY. LTD, A.C.N. 007 590 605, 1995 TITLE			
	DRN	ILT	DATE	CABLE & CONTROL INTERFACE IPC-500 FOR 8570, 9323 & 9360			
	CHKD	JW	25-8-95	DRAWING/DOC.NO 04-03086			
MATERIAL	APPD	AMJ	15-03-96	A3			
FINISH	TOLERANCES UNLESS OTHERWISE STATED 2 PLACES DEC. ± 1 PLACE DEC. ± ANGULAR ±			ISS	1		
							SHT 1 OF 1