

**SERIES 400  
PLUG-IN OSCILLATORS**

MODEL 442-.1

SERIAL NO. 103

# TABLE OF CONTENTS

## SECTION I INTRODUCTION AND GENERAL DESCRIPTION

|                               |     |
|-------------------------------|-----|
| SCOPE OF MANUAL . . . . .     | 1-1 |
| INTRODUCTION . . . . .        | 1-1 |
| GENERAL DESCRIPTION . . . . . | 1-1 |

## SECTION II PRELIMINARY INSPECTION AND OPERATION

|                                   |     |
|-----------------------------------|-----|
| INSPECTION UPON RECEIPT . . . . . | 2-1 |
| OPERATION . . . . .               | 2-1 |

## SECTION III THEORY OF OPERATION

|  |     |
|--|-----|
| GENERAL . . . . .  | 3-1 |
| GENERAL CIRCUIT DESCRIPTION . . . . .                        | 3-1 |
| TWO AND THREE PHASE OSCILLATORS . . . . .                    | 3-8 |
| INTERCONNECTIONS FOR TWO AND THREE PHASE OPERATION . . . . . | 3-8 |

## SECTION IV MAINTENANCE

|                               |     |
|-------------------------------|-----|
| SERVICE INFORMATION . . . . . | 4-1 |
| FACTORY REPAIR . . . . .      | 4-1 |
| SHIPPING DAMAGE . . . . .     | 4-1 |
| TEST POINTS . . . . .         | 4-1 |
| TROUBLESHOOTING . . . . .     | 4-1 |

## SECTION V PARTS LIST

|   |     |
|---|-----|
| PARTS COMMON TO ALL OSCILLATORS . . . . .           | 5-2 |
| PARTS PECULIAR TO 0.1% OSCILLATORS . . . . .        | 5-3 |
| PARTS PECULIAR TO 0.0001% OSCILLATORS . . . . .     | 5-3 |
| PARTS PECULIAR TO 2 & 3 PHASE OSCILLATORS . . . . . | 5-4 |
| PARTS PECULIAR TO 0.01% OSCILLATORS . . . . .       | 5-4 |

# LIST OF ILLUSTRATIONS

| FIGURE |   | PAGE |
|--------|---|------|
| 1-1    | 400 SERIES OSCILLATOR MODEL NUMBERING SYSTEM . . . . .            | 1-1  |
| 3-1    | SCHEMATIC DIAGRAM FOR 0.01% AND 0.0001% OSCILLATORS . . . . .     | 3-3  |
| 3-2    | SCHEMATIC DIAGRAM FOR 0.1% OSCILLATORS . . . . .                  | 3-5  |
| 3-3    | REAR PANEL CONNECTIONS FOR TWO OR THREE PHASE OPERATION . . . . . | 3-7  |
| 3-4    | TWO AND THREE PHASE CIRCUIT BLOCK DIAGRAM . . . . .               | 3-8  |

## SECTION I

### INTRODUCTION AND GENERAL DESCRIPTION

#### SCOPE OF MANUAL

This manual describes the Series 400 plug-in oscillators manufactured by Elgar Corporation for use with the Elgar Power Sources. The manual contains installation, operation, and maintenance instructions, circuit descriptions, circuit diagrams, and parts lists.

#### INTRODUCTION

The Elgar Series 400 plug-in oscillators provide stable input frequency signals for the Elgar Power Sources. The plug-ins provide frequency accuracy of 0.1%, 0.01%, and 0.0001% (see Figure 1-1 for an explanation of model numbering). The 0.01% and 0.0001% oscillators utilize a crystal-controlled oscillator. In the 0.1% models, a square wave is generated by positive feedback around the filter to generate the basic frequency signal which is filtered in two operational

amplifier filters arranged in series. Frequency adjustments may be made from the front panel.

In the 0.01% and 0.0001% models, the crystal oscillator output is divided through a series of integrated circuit flip-flops to obtain the designed output frequency. The output of the frequency divider flip-flops is filtered in two operational filters arranged in series.

#### GENERAL DESCRIPTION

The Elgar oscillators are contained in a plug-in enclosure which can be inserted into the front panel opening of an Elgar power source. The plug-in enclosure contains a horizontally-mounted printed circuit board, and a terminal connector which mates with a similar connector in the power source. The 0.1% model is provided with a front panel access hole for a screwdriver frequency adjustment. The oscillators are available in 50, 60, 400, 800, 3200 and 4800 Hz output frequencies, or any frequency from 45 Hz to 10 KHz on special order.

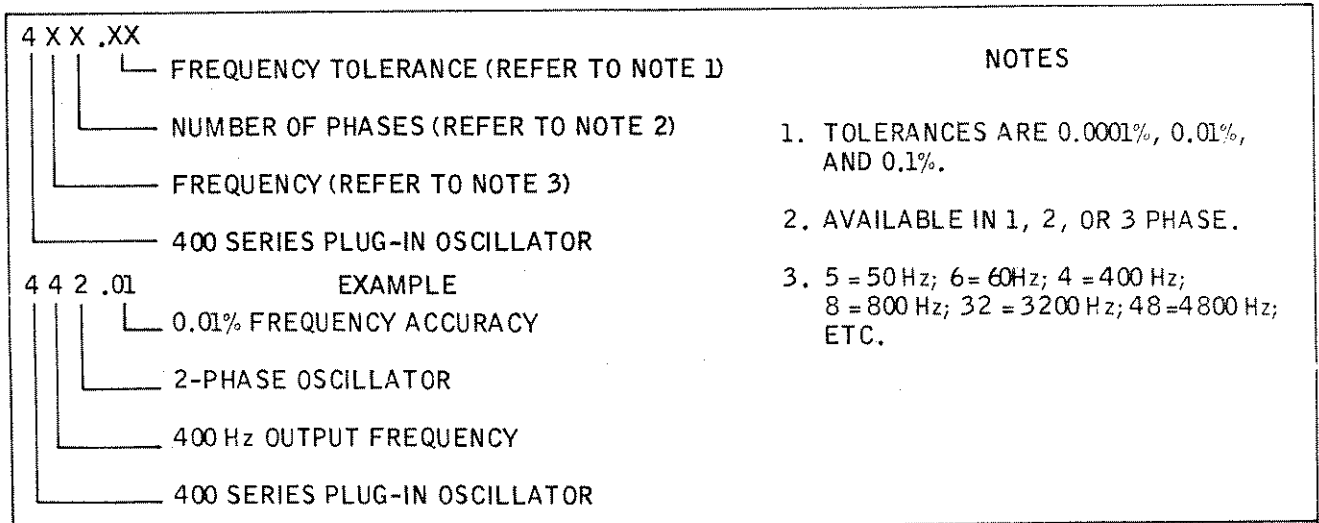


Figure 1-1. 400 Series Oscillator Model Numbering System.

## SECTION II

### PRELIMINARY INSPECTION AND OPERATION

#### INSPECTION UPON RECEIPT

The Elgar Plug-In Oscillators are aligned, calibrated, and tested prior to shipment. The instrument is therefore ready for immediate use upon receipt. The following checks should be made, however, to assure that the instrument has suffered no damage during shipment.

1. Make a visual inspection of the shipping container prior to accepting the package from the carrier. If extensive damage to the shipping container is evident, a description of the damage should be noted on the carrier's receipt, and signed by the driver or carrier agent. If damage is not apparent until the instrument is unpacked, a claim for concealed damage should be placed with the carrier and all shipping containers and filler material saved for inspection. Forward a report of damage to the Elgar Service Department, which will provide instructions for repair or replacement of the instrument.

2. Make a visual inspection of the instrument when it is removed from the shipping container.

#### OPERATION

Operating the plug-in oscillator requires only the following steps:

1. Set the POWER switch on the front panel of the Power Source to OFF.
2. Insert the plug-in module in the Power Source through the front panel opening; the oscillator plug-in is completely seated when the oscillator front panel and the Power Source front panel form a smooth plane.
3. Apply power to the Power Source.
4. For the 0.1% models only, use a screwdriver, inserted through the front panel access hole, to make any minor adjustment of the output frequency which may be required.

## SECTION III

### THEORY OF OPERATION

#### GENERAL

The Elgar Series 400 plug-in oscillators all use similar low voltage power supplies and operational amplifier filters, and draw operating power from the Elgar Power Source. The amplitude of the output signal for all units is controlled by the Power Source front panel AMPLITUDE control (a potentiometer which is physically located in the Power Source enclosure). The 0.1% model uses a positive feedback square wave input to the operational active filters. The closer tolerance models contain a crystal oscillator, and a frequency dividing circuit formed by a series of integrated circuit flip-flops. The output of the oscillator is a symmetrical square wave free from even harmonics.

#### GENERAL CIRCUIT DESCRIPTION

The 0.01% and 0.0001% tolerance oscillators (see Figure 3-1) generate the output frequency with a crystal oscillator operating at a frequency near 100 KHz and a chain of flip-flops which divide the oscillator frequency by some power of two to generate the output frequency. For example, 400 Hz is generated by a 102.4 KHz crystal and then divided by 256 with 8 flip-flops. The square wave output of the flip-flop chain is amplitude-stabilized by zener diode and then filtered in a two-section active low-pass filter to remove the harmonic distortion and produce a pure sine wave. The active filter is tuned to peak response at the output frequency and has 180° phase shift at the output frequency.

The 0.1% tolerance oscillators (see Figure 3-2) also operate by generating a square wave and filtering it in a two-section active filter. In these oscillators, however, the square wave is generated by positive feedback around the filter through an inverting clipper. The feedback system oscillates at the frequency where the filter phase shift is 180°.

A trimpot is provided to adjust the frequency of the 0.1% oscillators. The 0.01% oscillators do not require a frequency adjustment. The 0.0001% oscillators require an adjustment to compensate for crystal aging.

In the crystal-controlled oscillators, R101 and diodes CR101 through CR105 reduce an unregulated +42 VDC input from the power source to +3.6 VDC collector voltage for the oscillator and integrated circuits. The oscillator, which does not require an oven, consists of the crystal and transistors Q101 and Q102. The square wave oscillator output is divided through an appropriate number of integrated circuit flip-flops to produce, at the base of transistor Q103, a square wave at the output frequency. The crystal frequency and number of dividing flip-flops used for any output frequency is shown on the table given in the schematic diagram. Transistor Q103 is a saturated switch which switches the output from resistor R107 to ground or across the anode of CR106, producing a symmetrical equal duty ratio square wave. Half the time the output is +6.2 volts (approximately) and the other half the time the output is ground. CR106 is a 2N3638 transistor used as a zener diode. The output from the oscillator section is applied to the active filter circuits through resistor R108, the value of which is determined by oscillator frequency.

The filter circuits consist of two similar operational amplifiers with frequency-selective feedback networks which produce the filtering action. The first filter is tuned by resistors R108, R109, and R110 and capacitors C102 and C103. The values of these components depend on the required output frequency, and can be determined by consulting the table presented on the schematic diagram. The first operational amplifier consists of transistors Q104, Q105, and Q106. The second filter, in series with the first, is tuned by resistors R118, R119, and R120 and capacitors C107 and C108. The second operational amplifier consists of transistors Q107, Q108, and Q109.

The plug-in oscillators operate on +42 VDC and -42 VDC supplied by the Power Source. The input voltage is regulated at +15 VDC and -15 VDC in the plug-in enclosure. Amplifier transistor Q110 compares the voltage developed across CR107 to the +15 VDC regulated output, divided across resistors R132 and R133. The amplifier transistor Q114 compares the +15 VDC output to the -15 VDC output. Regulation of both supplies is improved by bootstrapping the amplifier collector load with

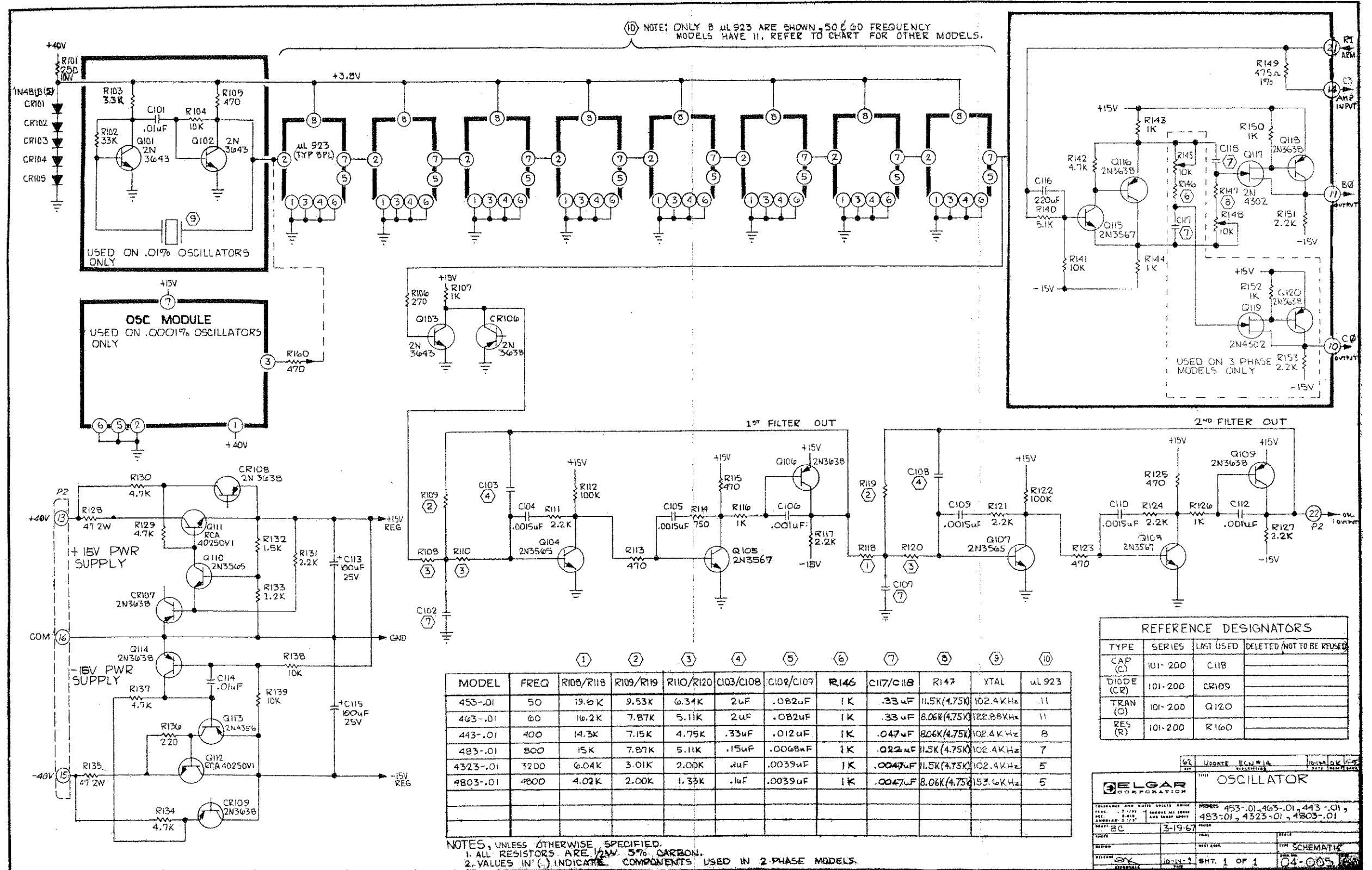


Figure 3-1. Schematic Diagram for 0.01% and 0.0001% Oscillators.

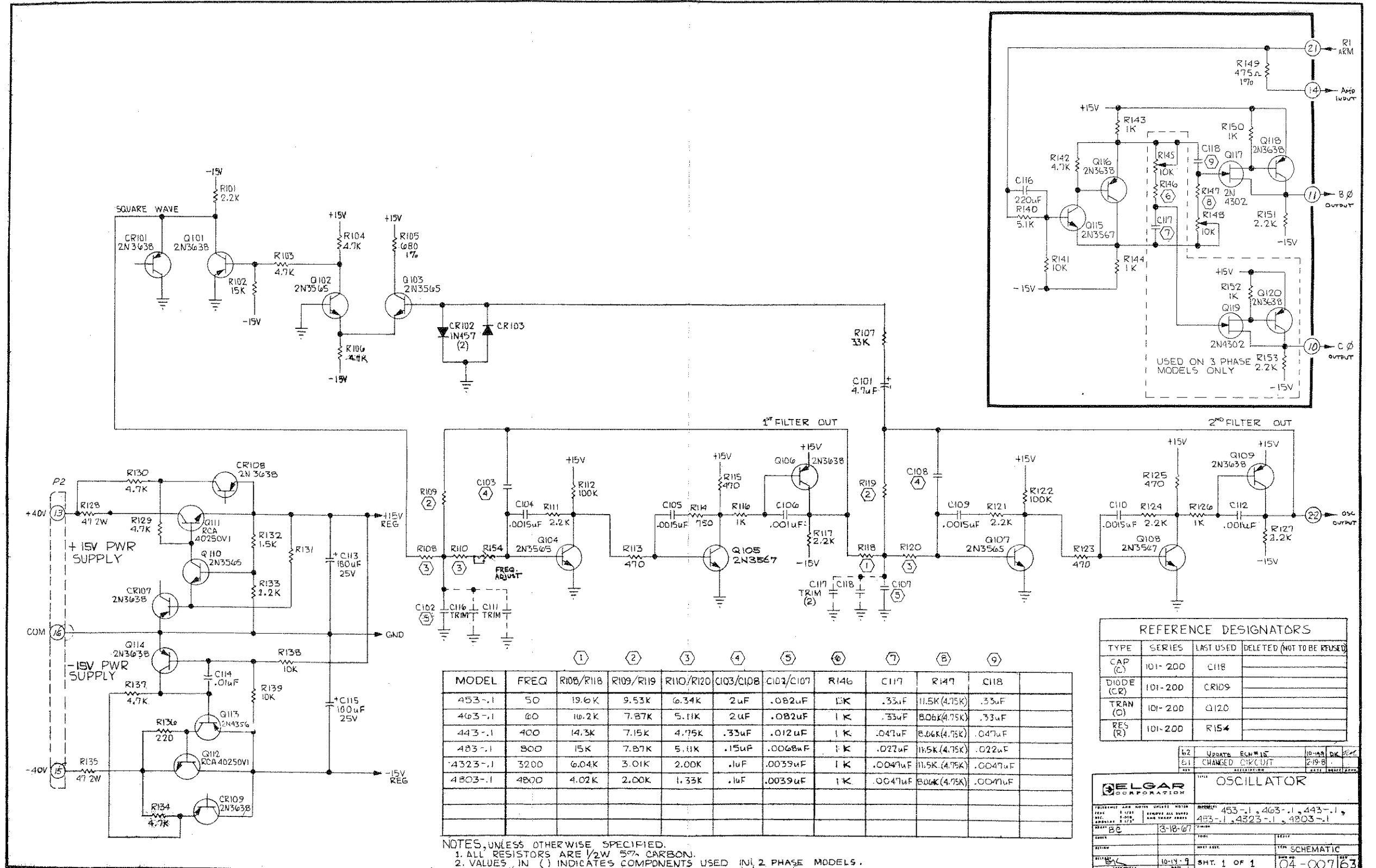


Figure 3-2. Schematic Diagram for 0.1% Oscillators.



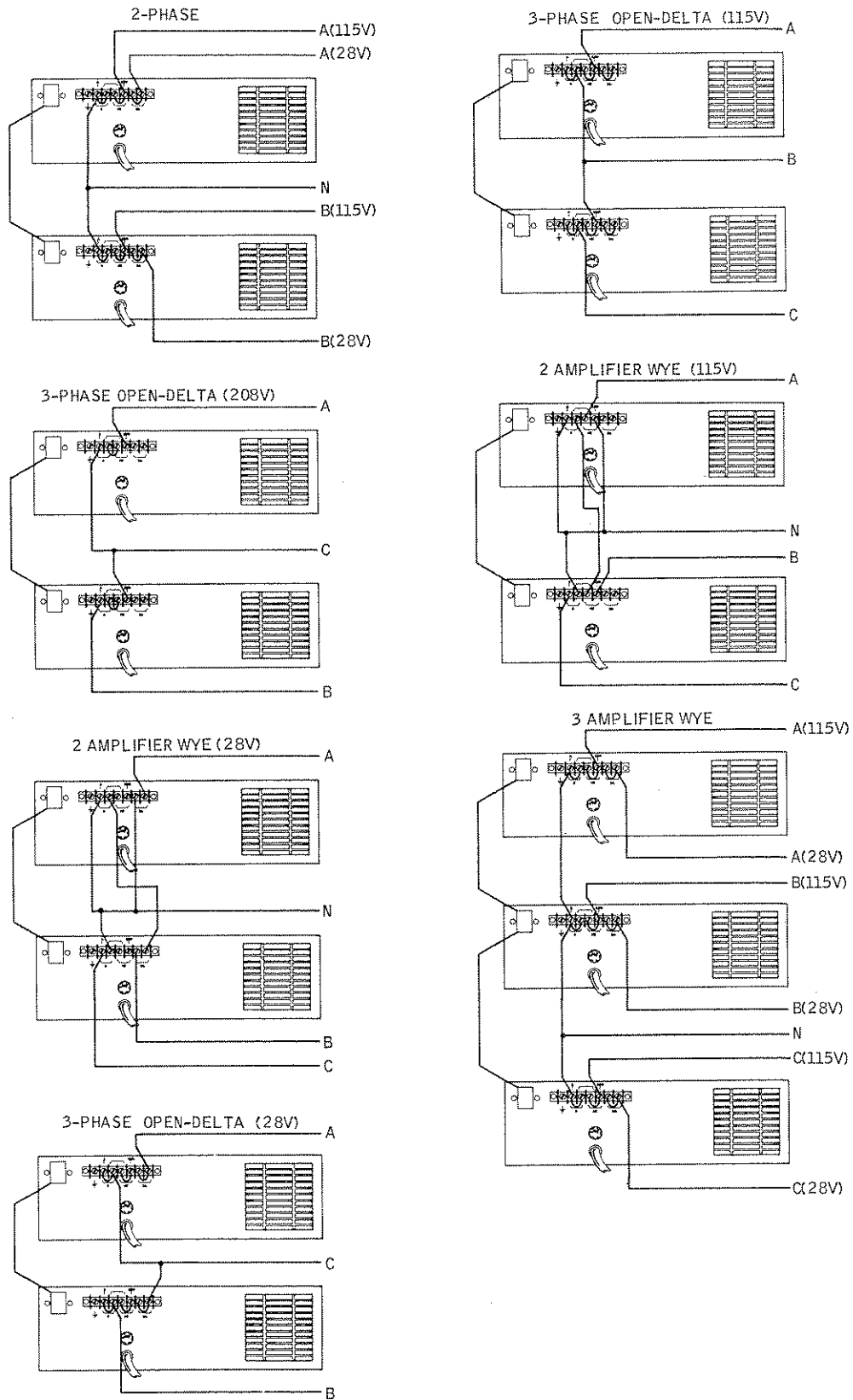


Figure 3-3. Rear Panel Connections for two or Three Phase Operation.

zener diodes, referencing the amplifier collector load to the regulator output. CR108 is a 2N3638 transistor used as the zener for the +10 VDC regulator, and CR109 is a similar transistor used as the zener for the -10 VDC regulator.

## TWO AND THREE PHASE OSCILLATORS

Two or three ELGAR AC Power Sources may be used to generate two phase or three phase AC power. Two phase or three phase signals are generated in a two phase or three phase plug-in oscillator installed in the master power amplifier. Signals from the oscillator are carried by interconnecting cables to one or two slave power amplifiers (see Figure 3-3), each of which has a dummy oscillator panel (Model 400-B or 400-C) installed in it. The front panel amplitude control on the master amplifier controls the amplitude of all the amplifier outputs simultaneously. The front panel amplitude controls of the slave amplifiers are used to set their output voltages equal to the master amplifier output.

## INTERCONNECTIONS FOR TWO AND THREE PHASE OPERATION

Two phase operation requires two power amplifiers. Three phase operation may be accomplished with three amplifiers in "Wye" connection, or with two amplifiers in either "Wye" or open Delta connection. For the two

amplifier "Wye" connection, the two secondaries on each output transformer are separated; one winding from the master amplifier gives the phase "A" output. One winding from the slave amplifier gives the phase "C" output. The remaining windings from the two amplifiers are connected in series to give the phase "B" output which is the negative vector sum of the phase "A" and phase "C" output.

A block diagram of circuitry used to generate two or three phase signals is provided in Figure 3-4. The single phase signal from the Oscillator is attenuated by the master amplifier front panel amplitude control R1. This control acts as a master control to adjust all the signal amplitudes simultaneously.

The signal from R1 is also connected to the signal splitter, Q1 and Q2, which develops signal voltages across R3 and R4 which are equal in amplitude and opposite in phase. These signals are applied to all-pass phase-shifting networks R5-C1 and R6-C2 which provides 120° phase lead and 120° phase lag respectively. The phase shift networks are isolated from their respective power amplifier inputs by unity-gain buffer amplifiers.

For two phase operation, the R5-C1 network is omitted, together with its buffer amplifiers and R6-C2 components are chosen for 90° phase-shift.

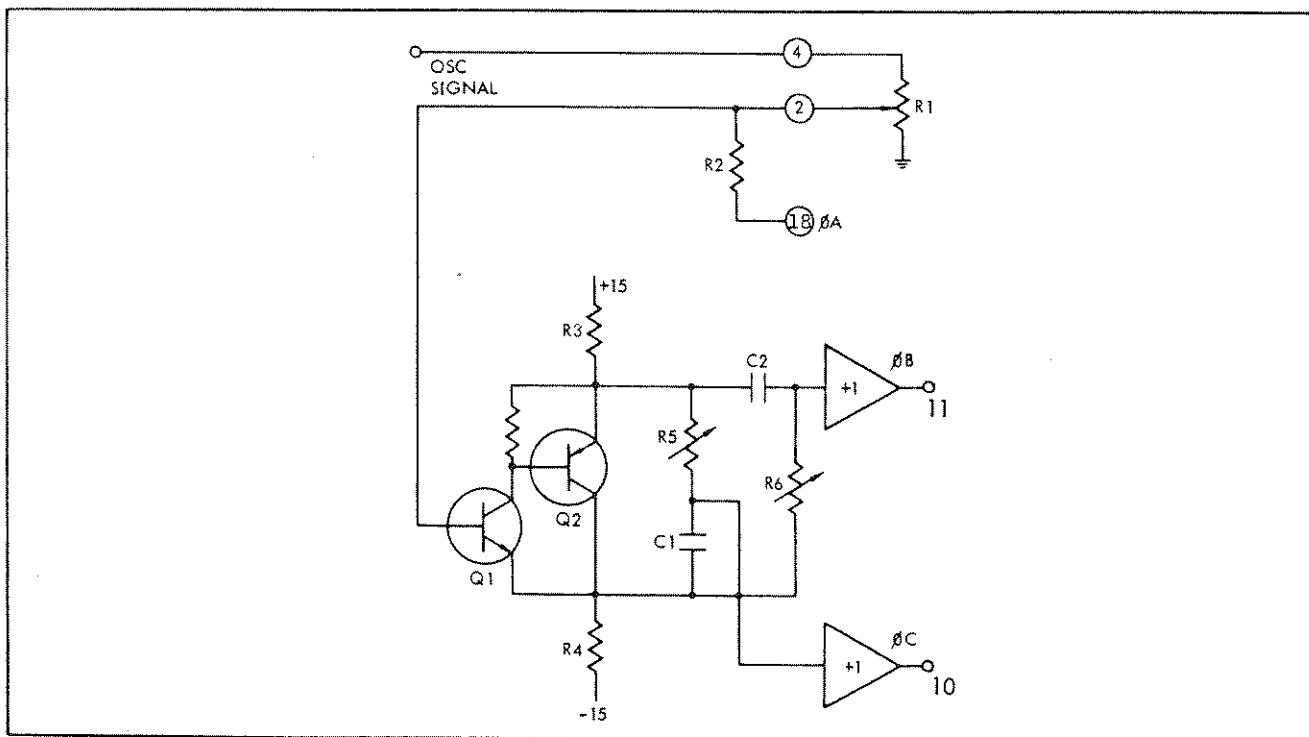


Figure 3-4. Two and Three Phase Circuit Block Diagram.

## SECTION IV

### MAINTENANCE

#### SERVICE INFORMATION

Questions concerned with the operation, repair, or servicing of this instrument should be directed to the nearest Elgar representative or to the Service Department, Elgar Corporation, 8046 Engineer Road, San Diego, California 92111. INCLUDE THE MODEL NUMBER AND SERIAL NUMBER in any correspondence concerning the instrument.

#### FACTORY REPAIR

Should it be necessary to return an instrument to the factory for repair, please contact the Elgar Corporation Service Department for authorization to make shipment.

DO NOT RETURN THE UNIT FOR REPAIR WITHOUT AUTHORIZATION.

#### SHIPPING DAMAGE

It is possible for equipment to be damaged in shipment. Therefore, it is imperative that the instrument be tested and inspected as soon as it is received. If the instrument shows signs of damage, notify the carrier immediately. The carrier's claim agent will prepare a report of damage to be forwarded to the Elgar Service Department. You will be advised as to the action necessary to have the instrument repaired or replaced.

#### TEST POINTS

Test points on the plug-in oscillator printed circuit board are shown in figures 3-1 and 3-2. These test points are accessible by removing the bottom cover of the power source.

The outputs of the various test points are as follows:

|               |                     |
|---------------|---------------------|
| Square Wave   | ≈ 6V p-p            |
| First Filter  | ≈ 10V p-p           |
| Second Filter | ≈ 10V p-p           |
| B Phase       | ≈ 10V p-p sine wave |
| C Phase       | ≈ 10V p-p sine wave |

#### TROUBLESHOOTING

Whenever trouble is suspected in the plug-in unit, substitution of a unit known to be good will provide a quick check. If it is determined that trouble does exist in the plug-in unit, the first step is a check of the +15 VDC and -15 VDC. If the output is greatly reduced, check the oscillator operation at the collector of Q103. If a square wave of the proper frequency and amplitude is present, the trouble may be in the filter. Check the output of the first filter section at Q106.

#### NOTE

If a crystal-controlled oscillator is not working, check the crystal. Dropping the unit, or other rough handling may fracture the crystal.

Troubleshooting is accomplished by signal tracing at the test points on the underside of the circuit board. For the crystal-controlled models, test for a signal at the crystal oscillator, the flip-flop dividers, a square wave at CR106 and a sine wave at the two filter outputs, and at the B and C phase outputs.

If no output is present on the 0.1% model, inject a 3 VRMS signal at appropriate frequency through a 3.3K resistor to the base of Q103. Check for 5.2V p-p signal at CR101 and for correct signals at the filter and B and C phase outputs.

The output frequency of the 0.0001% oscillator is adjustable by a screwdriver adjustment at the top of the oscillator module. Access is gained to this adjustment by removing the top cover of the power source. Allow a 30 minute warmup period. Do not change frequency setting unless a frequency standard of adequate accuracy is available for comparison.

## PHASE ANGLE ADJUSTMENT

The phase angle adjustments are set at the factory and should not be disturbed unless appropriate test equipment is available to determine the output phase angles. If an accurate phase angle meter is not available, phase angles may be determined by line-to-line voltage measurements. The front-panel voltmeters in the Elgar power sources are only accurate to  $\pm 3\%$  and are not suitable for precision phase angle adjustment.

Open Delta Connection: Set the two amplifier outputs  $E_{CA}$  and  $E_{CB}$  to 120V. Adjust  $B\theta$ , R148, until the open-leg voltage,  $E_{AB}$  is 120V. The  $C\theta$  adjustment, R145, has no effect.

2-Amplifier Wye Connection: Set the two amplifier outputs,  $E_{NA}$  and  $E_{NB}$ , to 120V. Adjust  $B\theta$ , R148, until the line-to-line voltage,  $E_{AB}$ , equals 207.84 volts. The  $C\theta$  adjustment, R145 has no effect.

3-Amplifier Wye Connection: Set all the amplifier outputs,  $E_{NA}$ ,  $E_{NB}$  and  $E_{NC}$ , to 120V. Adjust  $B\theta$ , R148, for line-to-line voltage  $E_{AB}$  equals to 207.84 volts. Adjust  $C\theta$ , R145, for line-to-line voltage  $E_{AC}$  equal to 207.84 volts.

2-Phase Connection: Set both amplifier outputs to 120V. Adjust  $B\theta$ , R148, until line-to-line voltage  $E_{AB}$  equals 169.71 volts.

**SECTION V**  
**PARTS LIST**

| SCHEMATIC DESIGNATION  | VALUE     | DESCRIPTION OR TYPE | RATING  | MANUFACTURER |             |
|--|-----------|---------------------|---------|--------------|-------------|
|  |           |                     |         | NAME         | PART NO.    |
| PARTS COMMON TO ALL OSCILLATORS                              |           |                     |         |              |             |
| CAPACITORS   |           |                     |         |              |             |
| C 102, C 107   | SEE TABLE | POLYCARB            | 100V 5% | IMB          | BIA . . . F |
| C 103, C 108   | SEE TABLE | POLYCARB            | 100V 5% | IMB          | BIA . . . F |
| C 104, C 105,<br>C 109, C 110                                | 0.0015 uf | CER DISC            |         | ERIE         | 811Z5V152P  |
| C 106, C 112   | 0.001 uf  | CER DISC            |         | ERIE         | 811Z5V102P  |
| C 113, C 115   | 100 uf    | ELECT               | 25V     | SPRAGUE      | TE1211      |
| C 114  | 0.01 uf   | CER DISC            |         | ERIE         |             |
| RESISTORS  |           |                     |         |              |             |
| R 108, R 118   | SEE TABLE | MET FILM            | 1/8W 1% | TEXAS INST.  | RN60C       |
| R 109, R 119   | SEE TABLE | MET FILM            | 1/8W 1% | TEXAS INST.  | RN60C       |
| R 110, R 120   | SEE TABLE | MET FILM            | 1/8W 1% | TEXAS INST.  | RN60C       |
| R 111, R 114, R 117,<br>R 121, R 124, R 127,<br>R 133, R 131 | 2.2K      | CARB COMP           | 1/2W 5% | OHMITE       |             |
| R 112, R 122   | 1.2K      |                     |         |              |             |
| R 113, R 115, R 123,<br>R 125                                | 100K      | CARB COMP           | 1/2W 5% | OHMITE       |             |
| R 116, R 126   | 470       | CARB COMP           | 1/2W 5% | OHMITE       |             |
| R 128, R 135   | 1K        | CARB COMP           | 1/2W 5% | OHMITE       |             |
| R 129, R 130, R 131,<br>R 134, R 137                         | 47        | CARB COMP           | 2W 5%   | OHMITE       |             |
| R 132  | 4.7K      | CARB COMP           | 1/2W 5% | OHMITE       |             |
| R 136  | 1.5K      | CARB COMP           | 1/2W 5% | OHMITE       |             |
| R 138, R 139   | 220       | CARB COMP           | 1/2W 5% | OHMITE       |             |
| R 114  | 10K       | CARB COMP           | 1/2W 5% | OHMITE       |             |
|  | 750       | CARB COMP           | 1/2W 5% | OHMITE       |             |
| SEMI CONDUCTORS  |           |                     |         |              |             |
| Q 104, Q 105, Q 107,<br>Q 108, Q 110                         | 2N3565    | TRANSISTOR          |         | FAIRCHILD    |             |
| Q 106, Q 109, CR 107,<br>CR 108, CR 109, Q 114               | 2N3638    | TRANSISTOR          |         | FAIRCHILD    |             |
| Q 111, Q 112   | 40250V1   | TRANSISTOR          |         | RCA          |             |
| Q 113  | S17889    | TRANSISTOR          |         | FAIRCHILD    |             |
| Q 105, Q 108   | 2N4356    |                     |         | FAIRCHILD    |             |
|  | 2N3567    |                     |         |              |             |

| SCHEMATIC DESIGNATION                 | VALUE                                       | DESCRIPTION OR TYPE | RATING                 | MANUFACTURER |             |
|---------------------------------------|---|---------------------|------------------------|--------------|-------------|
|                                       |   |                     |                        | NAME         | PART NO.    |
| PARTS PECULIAR TO 0.1% OSCILLATORS    |   |                     |                        |              |             |
| CAPACITORS                            |   |                     |                        |              |             |
| C 101                                 | 4.7   | TANT                | 35V                    | SPRAGUE      | CS13-BF475M |
| RESISTORS                             |   |                     |                        |              |             |
| R 101                                 | 2.2K  | CARB COMP           | 1/2W 5%                | OHMITE       | 275-1-501   |
| R 102                                 | 15K   | CARB COMP           | 1/2W 5%                | OHMITE       |             |
| R 103, R 104, R 106                   | 4.7K  | CARB COMP           | 1/2W 5%                | OHMITE       |             |
| R 105                                 | 680   | CARB COMP           | 1/2W 5%                | OHMITE       |             |
| R 107                                 | 3.3K  | CARB COMP           | 1/2W 5%                | OHMITE       |             |
| R 140                                 | 500   | TRIMPOT             |                        | BOURNS       |             |
| SEMI CONDUCTORS                       |   |                     |                        |              |             |
| Q 101, CR 101                         | 2N3638                                      | TRANSISTOR          |                        | FAIRCHILD    |             |
| Q 102, Q 103                          | 2N3565                                      | TRANSISTOR          |                        | FAIRCHILD    |             |
| CR 102, CR 103                        | 1N457                                       | DIODE               |                        | SYLVANIA     |             |
| PARTS PECULIAR TO 0.0001% OSCILLATORS |   |                     |                        |              |             |
| OSCILLATOR                            |   |                     |                        |              |             |
| OSC                                   | OSCILLATOR MODULE - SEE TABLE FOR FREQUENCY |                     |                        |              |             |
| RESISTORS                             |   |                     |                        |              |             |
| R 101                                 | 250   | WW                  | 10W                    | WARD-LEONARD | 10XM250     |
| R 106                                 | 270   | CARB COMP           | 1/2W 5%                | OHMITE       |             |
| R 107                                 | 1000  | CARB COMP           | 1/2W 5%                | OHMITE       |             |
| R 160                                 | 470   | CARB COMP           | 1/2W 5%                | OHMITE       |             |
| SEMI CONDUCTORS                       |   |                     |                        |              |             |
| CR 101- CR 105                        | 1N4818                                      | DIODE               | 1A200V                 | WESTINGHOUSE |             |
| CR 106                                | 2N3638                                      | TRANSISTOR          |                        | FAIRCHILD    |             |
| Q 103                                 | 2N3643                                      | TRANSISTOR          |                        | FAIRCHILD    |             |
|                                       | UL 923                                      | FLIP-FLOP           | See Table A for Number | FAIRCHILD    |             |

| SCHEMATIC DESIGNATION                     | VALUE       | DESCRIPTION OR TYPE | RATING                       | MANUFACTURER |                |
|---|-------------|---------------------|------------------------------|--------------|----------------|
|   |             |                     |                              | NAME         | PART NO.       |
| PARTS PECULIAR TO 0.01% OSCILLATORS       |             |                     |                              |              |                |
| CAPACITORS                                |             |                     |                              |              |                |
| C 101                                     | 0.01 uf     | CER DISC            |                              | ERIE         | 811Z5V103P     |
| RESISTORS                                 |             |                     |                              |              |                |
| R 101                                     | 250         | WW                  | 10W                          | WARD-LEONARD | 10XM250        |
| R 102                                     | 33K         | CARB COMP           | 1/2W 5%                      | OHMITE       |                |
| R 103                                     | 3.3K        | CARB COMP           | 1/2W 5%                      | OHMITE       |                |
| R 104                                     | 10K         | CARB COMP           | 1/2W 5%                      | OHMITE       |                |
| R 105                                     | 470         | CARB COMP           | 1/2W 5%                      | OHMITE       |                |
| R 106                                     | 270         | CARB COMP           | 1/2W 5%                      | OHMITE       |                |
| R 107                                     | 1K          | CARB COMP           | 1/2W 5%                      | OHMITE       |                |
| SEMI CONDUCTORS                           |             |                     |                              |              |                |
| CR 101-CR 105                             | 1N4818      | DIODE               |                              | WESTINGHOUSE |                |
| Q 101, W102, Q 103                        | 2N3643      | TRANSISTOR          |                              | FAIRCHILD    |                |
| CR 106                                    | 2N3638      | TRANSISTOR          |                              | FAIRCHILD    |                |
|   | UL923       | FLIP-FLOP           | See Table A<br>for Number    | FAIRCHILD    |                |
| MISCELLANEOUS                             |             |                     |                              |              |                |
| X 1                                       |             | CRYSTAL             | See Table A<br>for Frequency | MONITOR      |                |
| PARTS PECULIAR TO 2 & 3 PHASE OSCILLATORS |             |                     |                              |              |                |
| RESISTORS                                 |             |                     |                              |              |                |
| R 140                                     | 5.1K        | CARB COMP           | 1/2W 5%                      | OHMITE       |                |
| R 141                                     | 10K         | CARB COMP           | 1/2W 5%                      | OHMITE       |                |
| R 142                                     | 4.7K        | CARB COMP           | 1/2W 5%                      | OHMITE       |                |
| R 143, R 144                              | 1K          | CARB COMP           | 1/2W 5%                      | OHMITE       |                |
| R 150, R 152                              |             |                     |                              |              | 500-1K         |
| R 145, R 148                              | 10K         | TRIMPOT             |                              | IRC          |                |
| R 146                                     | See Table A | MET FILM            | 1/8W 1%                      | TEXAS INST   |                |
| R 147                                     | See Table A | MET FILM            | 1/8W 1%                      | TEXAS INST   |                |
| R 149                                     | 475         | MET FILM            | 1/8W 1%                      | TEXAS INST   | RN60C4750F     |
| R 151, R 153                              | 2.2K        | CARB COMP           | 1/2W 5%                      | OHMITE       |                |
| CAPACITORS                                |             |                     |                              |              |                |
| C 116                                     | 220uf       | TANTALUM            | 10V                          | SPRAGUE      | 196B227X001068 |
| C 117                                     | See Table A |                     |                              |              |                |
| C 118                                     | See Table A |                     |                              |              |                |



| SCHEMATIC DESIGNATION                     | VALUE | DESCRIPTION OR TYPE | RATING | MANUFACTURER |          |
|---|-------|---------------------|--------|--------------|----------|
|   |       |                     |        | NAME         | PART NO. |
| PARTS PECULIAR TO 2 & 3 PHASE OSCILLATORS |       |                     |        |              |          |
| SEMI CONDUCTORS                           |       |                     |        |              |          |
| Q 115                                     |       | TRANSISTOR          |        | FAIRCHILD    | 2N3567   |
| Q 116, Q 118, Q 120                       |       | TRANSISTOR          |        | FAIRCHILD    | 2N3638   |
| Q 117, Q 119                              |       | FET                 |        | AMELCO       | 2N4302   |

TABLE A

| FREQUENCY                                  | XTAL      | NO. OF UL923 USED | R108/R118 | R109/R119 | R110/R120 | C103/C108 | C102/C107 | R146 | C117/C118 | R147   |
|--|-----------|-------------------|-----------|-----------|-----------|-----------|-----------|------|-----------|--------|
| 50   | 102.4KHz  | 11                | 19.6K     | 9.53K     | 6.34K     | 2 uf      | 0.082 uf  | 1K   | 0.33      | 11.50K |
| 60   | 122.88KHz | 11                | 16.2K     | 7.87K     | 5.11K     | 2 uf      | 0.082 uf  | 1K   | 0.33      | 8.06K  |
| 400  | 102.4KHz  | 8                 | 14.3K     | 7.15K     | 4.75K     | 0.33 uf   | 0.012 uf  | 1K   | 0.047     | 8.06K  |
| 800  | 102.4KHz  | 7                 | 15K       | 7.87K     | 5.11K     | 0.15 uf   | 0.0068 uf | 1K   | 0.022     | 11.50K |
| 3200                                       | 102.4KHz  | 5                 | 6.04K     | 3.01K     | 2.00K     | 0.1 uf    | 0.0039 uf | 1K   | 0.0047    | 11.50K |
| 4800                                       | 153.6KHz  | 5                 | 4.02K     | 2.00K     | 1.33K     | 0.1 uf    | 0.0039 uf | 1K   | 0.0047    | 8.06K  |
| All 2-phase oscillators use 4.75K for R147 |           |                   |           |           |           |           |           |      |           |        |

## WARRANTY

Elgar Corporation warrants each instrument it manufactures to be free from defects in material and workmanship. The corporation's obligation under this warranty is limited to servicing the instrument and replacing defective parts, when the instrument is returned to the factory and transportation charges pre-paid. This warranty is effective for one year after delivery of the instrument to the original purchaser. Defects caused by improper operating conditions, misuse, negligence, or the alteration or removal of the nameplate, will void the warranty. Elgar Corporation shall in no circumstance be liable for any direct or consequential loss or damage of any nature resulting from the malfunction of the instrument. This warranty is effective in lieu of any or all other obligations or liabilities on the part of Elgar Corporation, its agents, or representatives.



# FOR SALES AND SERVICE INFORMATION

## contact our representative nearest your location

---

### **W. A. BROWN & ASSOCIATES, INC.**

325 First Street  
Alexandria, Virginia 22314  
Phone: (703) 836-1800

### **DATA ELECTRONICS CO., INC.**

5505 North Menard Avenue  
Chicago, Illinois 60630  
Phone: (312) 774-1452

8633 Harrison Circle  
Post Office Box 20081  
Minneapolis, Minnesota 55431  
Phone: (612) 881-6386

Post Office Box 979  
Milwaukee, Wisconsin 53201  
Phone: (414) 645-1550

Post Office Box 50084  
Indianapolis, Ind. 46250  
Phone: (317) 547-2329

### **DATA MARKETING ASSOCIATES, INC.**

Central Exchange Suite 100  
777 S. Central Expressway  
Richardson, Texas 75080  
Phone: (214) 231-1406

3925 Dacoma Road  
Houston, Texas 77018  
Phone: (713) 686-9627

### **DEWAR & ASSOCIATES**

6361 First Avenue South  
Suite 12  
Seattle, Washington 98108  
Phone: (206) 763-2233

### **ENGINEERING SERVICES COMPANY**

6717 Vernon Avenue  
St. Louis, Missouri 63130  
Phone: (314) 726-2233

7924-A State Line  
Prairie Village, Kansas 66208  
Phone: (913) 649-4000

1026 Third Avenue, S.E.  
Cedar Rapids, Iowa 52403  
Phone: (319) 366-1591

### **JAMES L. HIGHSMITH & CO.**

P. O. Box 9367  
Charlotte, N. Carolina 28205  
Phone: (704) 333-7743

P. O. Box 7835  
Orlando, Florida 32804  
Phone: (305) 293-5202

3322 S. Memorial Parkway  
Suite 18  
Huntsville, Alabama 35801  
Phone: (205) 881-3294

### **BOB HOCKER & ASSOCIATES**

1400 Devereux Drive  
Dayton, Ohio 45419  
Phone: (513) 298-8638

26847 Grand River Avenue  
Detroit, Michigan 48240  
Phone: (313) 531-1403

### **HYTRONIC MEASUREMENTS, INC.**

4940 East 39th Avenue  
Denver, Colorado 80207  
Phone: (303) 388-4081

205 San Pablo S. E.  
Albuquerque, New Mexico 87108  
Phone: (505) 268-3941

2022 South Main Street  
Salt Lake City, Utah 84115  
Phone: (801) 466-4924

### **KLM ASSOCIATES, INC.**

One Nouvelle Park  
New Hartford, New York 13413  
Phone: (315) 735-8525

8 Bear Hill Drive  
Palmyra, New York 14522  
Phone: (315) 597-9776

201 S. Main Street  
North Syracuse, New York 13212  
Phone: (315) 458-6214

### **MEASUREMENT TECHNOLOGY, INC.**

295 Northern Boulevard  
Great Neck, New York 11021  
Phone: (516) 482-3500

### **THE HOWARD J. SCHUFT CO., INC.**

815 Washington St.  
Newtonville, Mass. 02160  
Phone: (617) 527-5304

965 Dixwell Avenue  
New Haven, Conn. 06514  
Phone: (203) 865-1365

### **T. LOUIS SNITZER COMPANY**

9005 Exposition Blvd.  
Los Angeles, Calif. 90034  
Phone: (213) 836-6170

10320 Saratoga-Sunnyvale Rd.  
Cupertino, California 95014  
Phone: (408) 257-8333

1150 Camino Del Mar  
Del Mar, Calif. 92014  
Phone: (714) 454-2191

15 North 40th Place  
Phoenix, Arizona 85034  
Phone: (602) 273-1673

### **STEWART ASSOCIATES**

947 Old York Road  
Abington, Pa. 19001  
Phone: (215) 927-1200

---