

Serial No. \_\_\_\_\_

INSTRUCTION MANUAL

**MODEL 142**  
**HF VCG GENERATOR**

**WAVETEK**

Box 651, San Diego, Calif., 714-279-2200

8R-2/75  
K Rev

# WARRANTY

All Wavetek instruments are warranted against defects in material and workmanship for a period of one year after date of manufacture. Wavetek agrees to repair or replace any assembly or component (except batteries) found to be defective, under normal use, during this period. Wavetek's obligation under this warranty is limited solely to repairing any such instrument which in Wavetek's sole opinion proves to be defective within the scope of the warranty when returned to the factory or to an authorized service center. Transportation to the factory or service center is to be prepaid by purchaser. Shipment should not be made without prior authorization by Wavetek.

This warranty does not apply to any products repaired or altered by persons not authorized by Wavetek, or not in accordance with instructions furnished by Wavetek. If the instrument is defective as a result of misuse, improper repair, or abnormal conditions or operations, repairs will be billed at cost.

Wavetek assumes no responsibility for its product being used in a hazardous or dangerous manner either alone or in conjunction with other equipment. High voltage used in some instruments may be dangerous if misused. Special disclaimers apply to these instruments. Wavetek assumes no liability for secondary charges or consequential damages and, in any event, Wavetek's liability for breach of warranty under any contract or otherwise, shall not exceed the purchase price of the specific instrument shipped and against which a claim is made.

Any recommendations made by Wavetek for use of its products are based upon tests believed to be reliable, but Wavetek makes no warranty of the results to be obtained. This warranty is in lieu of all other warranties, expressed or implied, and no representative or person is authorized to represent or assume for Wavetek any liability in connection with the sale of our products other than set forth herein.

# Product Improvement Notice

Wavetek maintains a continuing program to make improvements to their instruments that will take advantage of the latest electronic developments in circuitry and components.

Due to the time required to document and print instruction manuals, it is not always possible to incorporate these changes in the manual.

Wavetek has manufactured your instrument, using metal film 1% tolerance resistors in place of 5% carbon resistors, wherever practical. This results in a substantial improvement in the overall performance of your instrument. Therefore, there may exist a discrepancy between the resistor used to manufacture your instrument and the resistor called out in the Parts List and Schematic Diagrams in this manual.

If field replacement of an affected resistor does become necessary, replacement may be made in accordance with the manual call outs. Wavetek, however, recommends replacement with the same type of resistor used in the manufacture of your instrument, whenever possible.

# CONTENTS

## Section One INTRODUCTION

Purpose of the Equipment . . . . .	1-1
General Physical Description . . . . .	1-1
Specifications . . . . .	1-1
Accessories and Associated Equipment . . . . .	1-3

## Section Two INSTALLATION AND OPERATION

Mechanical Installation . . . . .	2-1
Electrical Installation . . . . .	2-1
Operating Controls . . . . .	2-2
Installation Checks . . . . .	2-2
Operating Procedure . . . . .	2-3

## Section Three CIRCUIT DESCRIPTION

Simplified Block Diagram Analysis . . . . .	3-1
Functional Block Diagram Analysis . . . . .	3-3
Supplemental Circuits . . . . .	3-7

## Section Four MAINTENANCE

Access Instructions . . . . .	4-1
Calibration Instructions . . . . .	4-1
Corrective Maintenance . . . . .	4-4

## Section Five DIAGRAMS, ADDENDUMS, AND PARTS LISTS

Diagrams . . . . .	5-1
Addendums . . . . .	5-1
Parts Lists . . . . .	5-1

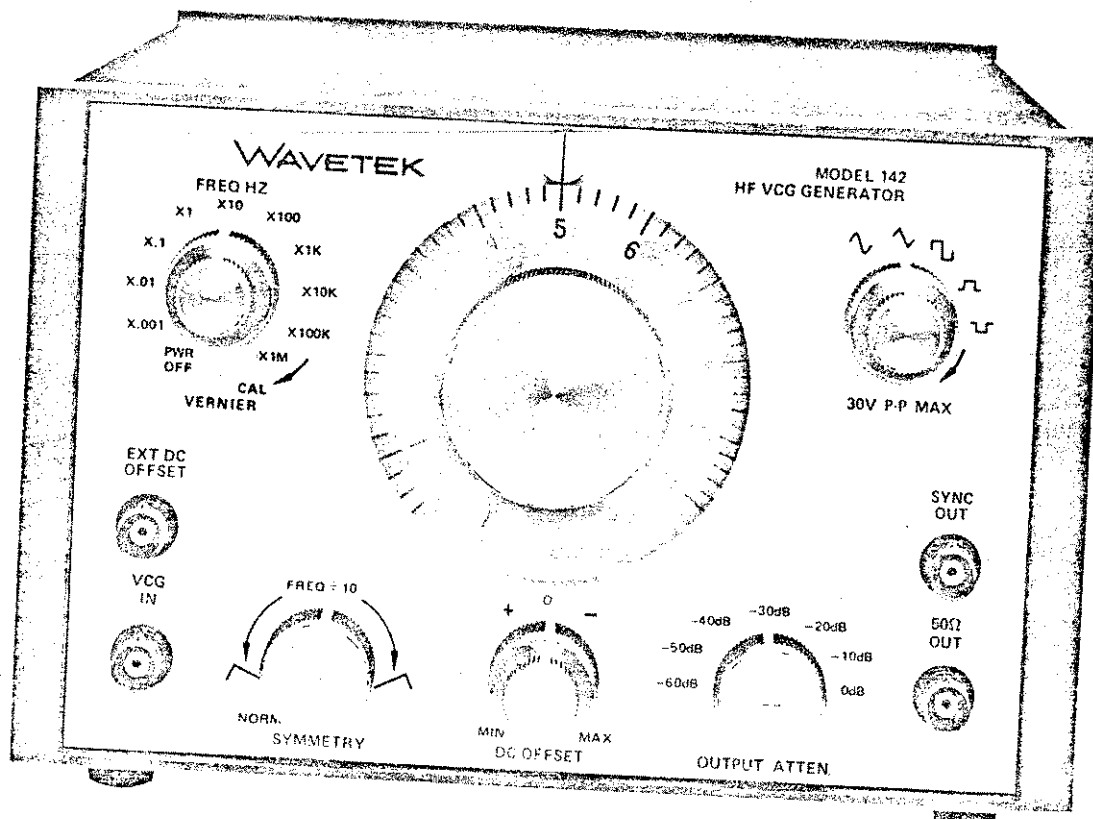


Figure i – Model 142 HF VCG Generator

### SCOPE OF THIS MANUAL

This manual provides descriptive material and instructions for the installation, operation, maintenance, and repair of this instrument. Wavetek's product improvement program ensures that the latest electronic developments are incorporated in all Wavetek instruments by the addition of circuit and component changes as rapidly as development and testing permit. Due to the time required to document and print instruction manuals, it is not always possible to incorporate the more recent changes in the released manual. In this case, data will be found on engineering change sheets at the rear of the manual. If no change sheets are included, the manual is correct as printed.

# SECTION 1 INTRODUCTION

## 1.1 PURPOSE OF THE EQUIPMENT

The Model 142 HF VCG Generator provides sine, square, triangle, positive pulse, and negative pulse outputs (with a separate sync output) over a 0.0005 Hz to 10 MHz frequency range. Frequency range selection is provided in ten decades; and a vernier control permits adjustment to within approximately 1% of the range selected.

The symmetry of any output waveform is continuously adjustable from 1:19 to 19:1 (5%-95% to 95%-5%). Pulse outputs as narrow as 50 nanoseconds having repetition rates as high as 1 MHz (on-off ratio as great as 19:1) can be generated in either polarity. Varying the symmetry of the triangle function will produce a sawtooth or "ramp" signal with a rise or fall time as steep as 50 nanoseconds at a recurring rate of 1 MHz. Even the symmetry of the sine wave may be varied over this 1:19 to 19:1 range if desired. When the symmetry control is used, however, the indicated frequency is divided by a factor of approximately 10.

A VCG input allows the output to be frequency modulated, dc programmed, or swept over a 1000:1 ratio. The dc offset of the 30V p-p maximum signal output can be controlled manually or electronically. A 60 dB calibrated step attenuator and a 20 dB vernier provide an overall attenuation of 80 dB; permitting signal levels as low as 1.5 mV p-p. Both the output waveform and the dc offset are attenuated by the 60 dB step attenuator.

With this instrument it is possible to simultaneously program and sweep the output frequency, select the output symmetry desired, and manually or electronically vary the dc offset. This capability, coupled with the variety of waveforms available and precision output amplitude control, makes the Model 142 an extremely versatile instrument for engineering, manufacturing, and laboratory applications.

## 1.2 GENERAL PHYSICAL DESCRIPTION


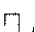


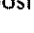
Weighing approximately 8 pounds (12 pounds when shipped) the Model 142 is 8-½ inches wide, 5-¼ inches high, and 11-½ inches deep. Housed in a compact, ruggedized, portable case; the Model 142 is normally



shipped with a 10-foot, 3-wire, detachable line cord and one copy of this instruction manual.

## 1.3 SPECIFICATIONS

### 1.3.1 Versatility

#### WAVEFORMS

Selectable sine , square , triangle , positive pulse , and negative pulse  outputs.

Symmetry of all outputs continuously adjustable from 1:19 to 19:1. Varying triangle symmetry provides a sawtooth  or  output. Separate sync with variable symmetry (see Sync Output specifications below).

#### OPERATING FREQUENCY RANGE

0.0005 Hz to 10 MHz in ten decades as tabulated below:

##### Ranges

X.001 . . . . .	0.0005 Hz to .01 Hz
X.01 . . . . .	0.005 Hz to .1 Hz
X.1 . . . . .	0.05 Hz to 1 Hz
X1 . . . . .	0.1 Hz to 10 Hz
X10 . . . . .	0.1 Hz to 100 Hz
X100 . . . . .	1 Hz to 1 kHz
X1K . . . . .	10 Hz to 10 kHz
X10K . . . . .	100 Hz to 100 kHz
X100K . . . . .	1 kHz to 1 MHz
X1M . . . . .	10 kHz to 10 MHz

Note: When Symmetry control is used, indicated frequency is divided by a factor of approximately 10.

#### MAIN OUTPUT

Sine, square, triangle, positive pulse, and negative pulse; selectable. Maximum output 30 V p-p into open circuit (15 V p, pulse) with calibrated 15 V p-p into 50-ohm load. Precision output attenuator calibrated in 10 dB steps to -60 dB with a 20 dB vernier, giving an overall attenuation of -80 dB. Output impedance is 50-ohms. Short circuit current is ±150 milliamps.

## SYNC OUTPUT

Amplitude greater than 4 V p-p into open circuit; 2 V p-p into 50 ohms. Square waveform for symmetrical outputs; rectangular waveform for pulse and ramp outputs. Sync pulse polarity is opposite that of output square wave.

## DC OFFSET

Can be controlled manually using the front panel control, or electronically by applying an external voltage. Adjustable range is  $\pm 10$  Vdc into open circuit ( $\pm 5$  Vdc into 50-ohm load) with peak output, at the output, limited to  $\pm 15$  Vdc into open circuit ( $\pm 7.5$  Vdc into 50 $\Omega$ ). External offset sensitivity is approximately  $-0.4$  V/V with output connected to 50-ohm load. DC offset and output waveform are attenuated proportionately by the 60 dB output attenuator.

### 1.3.2 Horizontal Precision

**FREQUENCY ACCURACY (Dial Accuracy) Symmetrical Waveforms**

0.01 Hz to 1 MHz  $\pm(1\%$  of setting +  $1\%$  of full scale).  
1 MHz to 10 MHz  $\pm(2\%$  of setting +  $2\%$  of full scale).

## VERNIER

Permits frequency adjustment of approximately 1% of range.

## TIME SYMMETRY

10 Hz to 100 kHz . . . . .  $\pm 0.5\%$   
0.01 Hz to 500 kHz . . . . .  $\pm 1.0\%$

### 1.3.3 Voltage-Controlled Generator

#### VCG CONTROL RANGE

Up to 1000:1 frequency change with external voltage input. Upper frequency is limited to maximum of selected range. Required external signal for full voltage control is 5 volts with input impedance of 5 k $\Omega$ .

#### VCG INPUT FREQUENCY

VCG Bandwidth . . . . . 100 kHz  
VCG Slew Rate . . . . . 2% of range/microsecond

#### VCG LINEARITY

10 Hz to 100 kHz . . . . .  $\pm 0.2\%$  of full scale  
0.001 Hz to 1 MHz . . . . .  $\pm 0.5\%$  of full scale

### 1.3.4 Vertical Precision

#### SINE WAVE FREQUENCY RESPONSE

Amplitude change with frequency less than:

0.1 dB . . . . . to 100 kHz  
0.2 dB . . . . . to 1 MHz  
2.0 dB . . . . . to 10 MHz

#### STEP ATTENUATOR ACCURACY

$\pm 0.25$  dB/10 dB

#### STABILITY

Short term . . . . .  $\pm 0.05\%$  for 10 minutes  
Long term . . . . .  $\pm 0.25\%$  for 24 hours  
Percentages apply to amplitude, frequency, and dc offset.

#### AMPLITUDE SYMMETRY

All waveforms (except pulse) are symmetrical about ground within  $\pm 1\%$  of maximum peak-to-peak amplitude.

### 1.3.5 Purity

#### SINE WAVE DISTORTION

10 Hz to 100 kHz . . . . . less than 0.5% (typically 0.25%)  
100 kHz to 1 MHz . . . . . less than 1.0%  
1 MHz to 10 MHz . . . . . all harmonics at least 30 dB down

#### TRIANGLE LINEARITY

0.002 Hz to 100 kHz . . . . . greater than 99% by using the best straight line method

#### SQUARE WAVE RISE AND FALL TIME (terminated in 50 $\Omega$ load)

Less than 20 nanoseconds; limited to 500 V/microsecond.

#### TOTAL ABERRATIONS

Less than 5%

### 1.3.6 Environmental

#### TEMPERATURE

All specifications listed, except for stability, are for 25 $^{\circ}$ C  $\pm 5^{\circ}$ C. For operation from 0 $^{\circ}$ C to 55 $^{\circ}$ C, derate all specifications by a factor of 2.

## SYNC OUTPUT

Amplitude greater than 4 V p-p into open circuit; 2 V p-p into 50 ohms. Square waveform for symmetrical outputs; rectangular waveform for pulse and ramp outputs. Sync pulse polarity is opposite that of output square wave.

## DC OFFSET

Can be controlled manually using the front panel control, or electronically by applying an external voltage. Adjustable range is  $\pm 10$  Vdc into open circuit ( $\pm 5$  Vdc into 50-ohm load) with peak output, at the output, limited to  $\pm 15$  Vdc into open circuit ( $\pm 7.5$  Vdc into 50 $\Omega$ ). External offset sensitivity is approximately  $-0.4$  V/V with output connected to 50-ohm load. DC offset and output waveform are attenuated proportionately by the 60 dB output attenuator.

### 1.3.2 Horizontal Precision

#### FREQUENCY ACCURACY (Dial Accuracy) Symmetrical Waveforms

0.01 Hz to 1 MHz  $\pm(1\%$  of setting + 1% of full scale).  
1 MHz to 10 MHz  $\pm(2\%$  of setting + 2% of full scale).

#### VERNIER

Permits frequency adjustment of approximately 1% of range.

#### TIME SYMMETRY

10 Hz to 100 kHz . . . . .  $\pm 0.5\%$   
0.01 Hz to 500 kHz . . . . .  $\pm 1.0\%$

### 1.3.3 Voltage-Controlled Generator

#### VCG CONTROL RANGE

Up to 1000:1 frequency change with external voltage input. Upper frequency is limited to maximum of selected range. Required external signal for full voltage control is 5 volts with input impedance of 5 k $\Omega$ .

#### VCG INPUT FREQUENCY

VCG Bandwidth . . . . . 100 kHz  
VCG Slew Rate . . . . . 2% of range/microsecond

#### VCG LINEARITY

10 Hz to 100 kHz . . . . .  $\pm 0.2\%$  of full scale  
0.001 Hz to 1 MHz . . . . .  $\pm 0.5\%$  of full scale

### 1.3.4 Vertical Precision

#### SINE WAVE FREQUENCY RESPONSE

Amplitude change with frequency less than:

0.1 dB . . . . . to 100 kHz  
0.2 dB . . . . . to 1 MHz  
2.0 dB . . . . . to 10 MHz

#### STEP ATTENUATOR ACCURACY

$\pm 0.25$  dB/10 dB

#### STABILITY

Short term . . . . .  $\pm 0.05\%$  for 10 minutes  
Long term . . . . .  $\pm 0.25\%$  for 24 hours  
Percentages apply to amplitude, frequency, and dc offset.

#### AMPLITUDE SYMMETRY

All waveforms (except pulse) are symmetrical about ground within  $\pm 1\%$  of maximum peak-to-peak amplitude.

### 1.3.5 Purity

#### SINE WAVE DISTORTION

10 Hz to 100 kHz . . . . . less than 0.5% (typically 0.25%)  
100 kHz to 1 MHz . . . . . less than 1.0%  
1 MHz to 10 MHz . . . . . all harmonics at least 30 dB down

#### TRIANGLE LINEARITY

0.002 Hz to 100 kHz . . . . . greater than 99% by using the best straight line method

#### SQUARE WAVE RISE AND FALL TIME (terminated in 50 $\Omega$ load)

Less than 20 nanoseconds; limited to 500 V/microsecond.

#### TOTAL ABERRATIONS

Less than 5%

### 1.3.6 Environmental

#### TEMPERATURE

All specifications listed, except for stability, are for 25 $^{\circ}$ C  $\pm 5^{\circ}$ C. For operation from 0 $^{\circ}$ C to 55 $^{\circ}$ C, derate all specifications by a factor of 2.



**1.3.7 Mechanical**

**DIMENSIONS**

8-½ inches wide, 5-¼ inches high, 11-½ inches deep.

**WEIGHT**

8 pounds net, 12 pounds shipping.

**POWER**

105 V to 125 V or 200 V to 250 V; 50 to 400 Hz. Less than 35 watts.

**1.4 ACCESSORIES AND ASSOCIATED EQUIPMENT**

This instrument is normally shipped with a 10-foot, 3-wire, detachable line cord and a copy of this instruction manual. The items listed below are compatible accessories and associated equipment which may be helpful in the user's installation.

- RACK ADAPTER KIT . . . . . Wavetek No. 130-602
- ADAPTER CABLE(S), SHIELDED. . . . .
  - . . . . . BNC Female to BNC Female
  - . . . . . BNC Female to BNC Male
  - . . . . . BNC Female to Dual Banana
  - . . . . . BNC Female to Dual Alligator

**NOTE**  
*Specifications apply from 1-10 on the frequency dial.*

# SECTION 2

## INSTALLATION AND OPERATION

### 2.1 MECHANICAL INSTALLATION

After unpacking the instrument, visually inspect all external parts for possible damage to knobs, connectors, surface areas, etc. If damage is discovered, file a claim with the carrier who transported the unit. The shipping container and packing material should be saved in case reshipment is required.

No mechanical installation is required when the instrument is to be used as a portable bench top instrument. If a rack-mounting configuration, or a Rack Adapter Kit (see paragraph 1.4), is provided, the unit may be mounted in a standard 19-inch equipment rack. Instructions for attaching the Rack Adapter Kit are provided with the kit.

### 2.2 ELECTRICAL INSTALLATION

#### 2.2.1 Power Connection

Connect the ac line cord to the mating connector at the rear of the unit.

#### NOTICE

Unless otherwise specified at the time of purchase, all Wavetek instruments are shipped from the factory with the power transformer connected for operation on a nominal 115-volt ac line supply, and a ¼ amp 115 V line fuse.

#### NOTICE

Conversion for 230-volt operation requires resetting a switch at the rear of the instrument. To reset the 115/230 conversion switch (concealed by the rear panel) remove the rear panel, set the slide switch to 230, and replace the panel. Install a fuse with a rating of 1/8 amp at 230 volts.

#### 2.2.2 Signal Connections

Use 50Ω shielded cables equipped with female BNC connectors to distribute all RF signals when connecting this instrument to associated equipment.

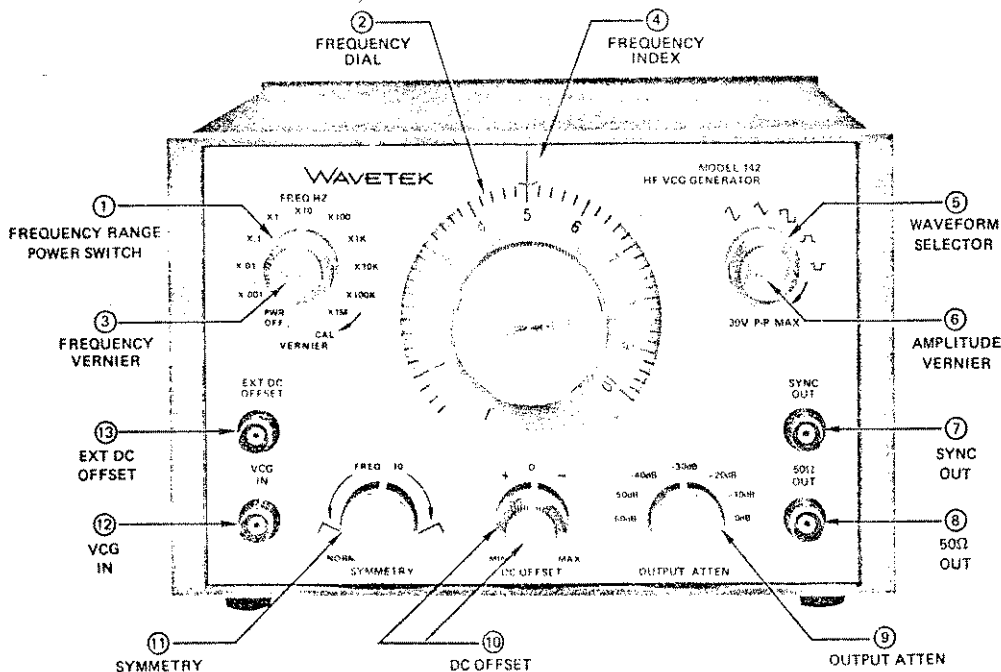

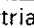
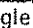


Figure 2-1 - Operating Controls

## 2.3 OPERATING CONTROLS

The operating controls and electrical connections for the Model 142 are shown in Figure 2-1. The listing below discusses each control and its function.


1. **Frequency Range/Power Switch** — This 11 position switch selects the generator frequency range. The extreme counter-clockwise position is the power off position.
2. **Frequency Dial** — This is the main frequency control. The setting on this dial multiplied by the frequency range setting (above) equals the output frequency of the generator. The frequency vernier (3) and the symmetry control (11) also affect the generator frequency. Note their effect in the listing below.
3. **Frequency Vernier** — This control allows precision control over the output frequency. A complete turn of this vernier is equivalent to approximately one half of the smallest division on the main frequency dial. When in the full clockwise position (CAL), the settings on the main dial will be accurate.
4. **Frequency Index** — The scribe line indicates the frequency dial setting. The index is illuminated when the unit is on.
5. **Waveform Selector** — This selects the waveform that appears at the 50Ω output connector. The waveforms are sine  triangle  square  positive going pulse and negative going pulse.
6. **Amplitude Vernier** — A vernier control of the output amplitude. Maximum clockwise position gives the full output amplitude of 30 V peak-to-peak into an open circuit or 15 V p-p into a 50Ω load, except positive and negative pulse which are 7.5 V zero-peak amplitude into 50Ω load. Counter-clockwise rotation will continuously reduce the output amplitude. The control gives a minimum of 20 dB variation (10:1). This control operates in conjunction with the output attenuator (9). For maximum amplitude output this vernier must be full clockwise and the output attenuator in the "0 dB" position.
7. **Sync Out** — This output provides a square or rectangular output at the same frequency of the main generator. The output amplitude is approximately 2 V p-p into 50Ω. The phase relationship between the sync output and the waveforms from the 50Ω output is as shown in Figure 2-3
8. **50Ω Out** — This connector provides the selected generator output function. The generator may operate into an open circuit providing 30 V peak-to-peak maximum, or into a 50Ω load providing a 15 V peak-to-peak output.
9. **Output Attenuator** — Attenuates the output from 0 dB (15 V p-p 50Ω max) to -60 dB (15 mV p-p into 50Ω) in six, 10 dB steps. The vernier (6) adds an additional -20 dB, thus, a maximum of -80 dB (1.5 mV p-p into 50Ω).
10. **DC Offset Control** — This coaxial switch controls the amount of dc or baseline offset above (+) or below (-) signal ground. The larger knob controls the polarity of dc offset and the smaller knob controls the amount of offset.
11. **Symmetry Control** — This controls the time symmetry between the positive and negative portions of the output waveform. In the full counter-clockwise (detent) position, the control is disabled and the output waveform has 1:1 symmetry (50% duty cycle). Rotating the dial clockwise will vary the symmetry from 1:19 through 19:1. Note: When the symmetry is off the NORM (detent) position the output frequency is divided by approximately a factor of 10. This allows a minimum pulse width of 50 nanoseconds.
12. **VCG (Voltage Controlled Generator) Input** — This connector allows external control of frequency. With 0 volts in, the generator output frequency is determined by the frequency range selected and the frequency dial setting. A positive VCG voltage will increase this frequency, and a negative voltage will decrease the frequency. Input impedance is 5 kΩ.
13. **External DC Offset** — This connector provides external control of dc level. This control only operates when the dc offset switch is in the 0 position. Maximum range is ±15 V dc and sensitivity is approximately -0.4 volts offset per volt input.

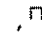



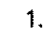

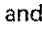
## 2.4 INSTALLATION CHECKS

This paragraph outlines a quick checkout procedure to determine if the instrument is operating properly. Field calibration and checkout instructions are given in Section 4 to determine compliance with electrical specifications. If electrical deficiencies exist, refer to the warranty on the back of the title page.

Use a Tektronix Model 454 oscilloscope (or equivalent) and a Monsanto Model 101A Counter-Timer (or equivalent) when performing these installation checks.

- Before connecting the line cord to the ac line, set the front panel controls and switches as follows:

FREQ HZ (switch)	PWR OFF
FREQ DIAL (main dial)	10
VERNIER (control)	clockwise
WAVEFORM (switch)	
30 V P-P MAX (control)	clockwise
SYMMETRY (Switch/control)	NORM
DC OFFSET (switch)	0
DC OFFSET (control)	MIN
OUTPUT ATTEN (switch)	0 dB

- Connect the oscilloscope to the 50Ω OUT connector with the cable, terminated in a 50-ohm load and connect the line cord to the ac line.
- Set FREQ HZ to X100. A 1 kHz sine wave with an amplitude of less than 15 V p-p should be displayed on the oscilloscope.
- Check each waveform ( , , ,  and  ) using the WAVEFORM selector. Amplitude should read 15 V p-p. The amplitude for the pulse outputs should be 7.5 V peak. Return WAVEFORM selector to .
- Observe the oscilloscope display and rotate FREQ DIAL clockwise to the 1 setting. The sine wave frequency should change from 1 kHz to 100 Hz. Check the range to range tracking accuracy with dial setting at 10.
- With FREQ HZ set to X100K and FREQ DIAL set to 1, set VERNIER control fully counterclockwise. The output frequency should be 1 kHz or less.
- Change the waveform selector to  and rotate SYMMETRY control slightly clockwise until symmetry function is activated. The output square wave should be unsymmetrical by a ratio of approximately 10. Continue rotating the SYMMETRY control through its entire range. The square wave symmetry should vary from 1:19 through 1:1 to 19:1 at the fully clockwise extreme.
- Set 30 V P-P MAX fully counterclockwise and DC OFFSET switch to the "+" position. The baseline of the output waveform should remain at or very near zero. Rotate the DC OFFSET control from MIN to MAX; the baseline should shift to greater than 5 volts positive.
- Set DC OFFSET switch to "-" and check that the dc offset of the output signal is variable over a

range of zero to greater than 5 volts negative. Reset DC OFFSET switch to the "0" position.

- Set 30 V P-P MAX control fully clockwise and rotate OUTPUT ATTEN switch through each position. Observe the oscilloscope display to check the output attenuation. See Section 2.5, paragraph 5.

## 2.5 OPERATING PROCEDURE

No preparation for operation is required beyond completion of the initial installation checks given in paragraph 2.4 of this manual. It is recommended that a one-half hour warm-up period be allowed for the associated equipment to reach a stabilized operating temperature, and for the Model 142 to attain stated accuracies.

### 2.5.1 Operation as a Function Generator

- Properly terminate the 50Ω OUT connector.
- Select desired output waveform using the WAVEFORM SELECTOR switch.
- Set FREQ HZ switch to desired multiplier.
- Set FREQ DIAL to desired setting by aligning with Index.
- Set 30 V P-P MAX and OUTPUT ATTEN switch for desired output level and amplitude.

For reference, the following table gives the approximate output amplitude levels at attenuator settings. The output levels of the positive and negative pulse waveforms are one-half of these levels.

TABLE 2-1

Attenuator Position	Peak-to-Peak Output into 50Ω load.	
	Maximum (Vernier full CW)	Minimum
0 dB	15 volts	1.5 V
-10 dB	5 volts	500 mV
-20 dB	1.5 volts	150 mV
-30 dB	500 mV	50 mV
-40 dB	150 mV	15 mV
-50 dB	50 mV	5 mV
-60 dB	15 mV	1.5 mV

6. With DC OFFSET set to 0 and SYMMETRY control set to NORM, the output waveform should be a symmetrical waveform oscillating around a zero dc reference point. (Except when in a positive or negative pulse position.)
7. Select the polarity of dc offset desired using the DC OFFSET switch, and set the amount of offset using the MIN/MAX control. If an excessive amount of dc offset is used, waveform clipping may be observed. The sum of peak waveform voltage and the dc offset cannot exceed the maximum rated output of the generator. For example, on the 0 dB attenuator setting the maximum output is 15 V peak-to-peak or 7.5 V peak above and below zero volts. Offset plus peak voltage cannot exceed 7.5 V. See Figure 2-2.

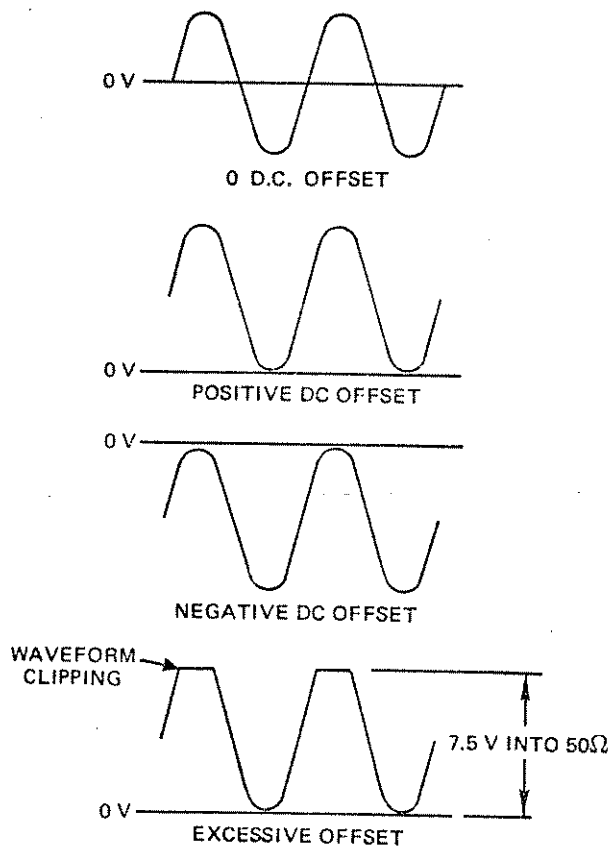


Figure 2-2 - DC Offset Control

8. Set SYMMETRY switch/control for desired symmetry or dissymmetry. The symmetry control can be used to develop ramp waveforms with variable rise fall ratios and pulse trains with variable duty cycle. By using the sine wave with dissymmetry, controllable sine distortion can be developed. Figure 2-3 shows the effect of this control on output waveforms.

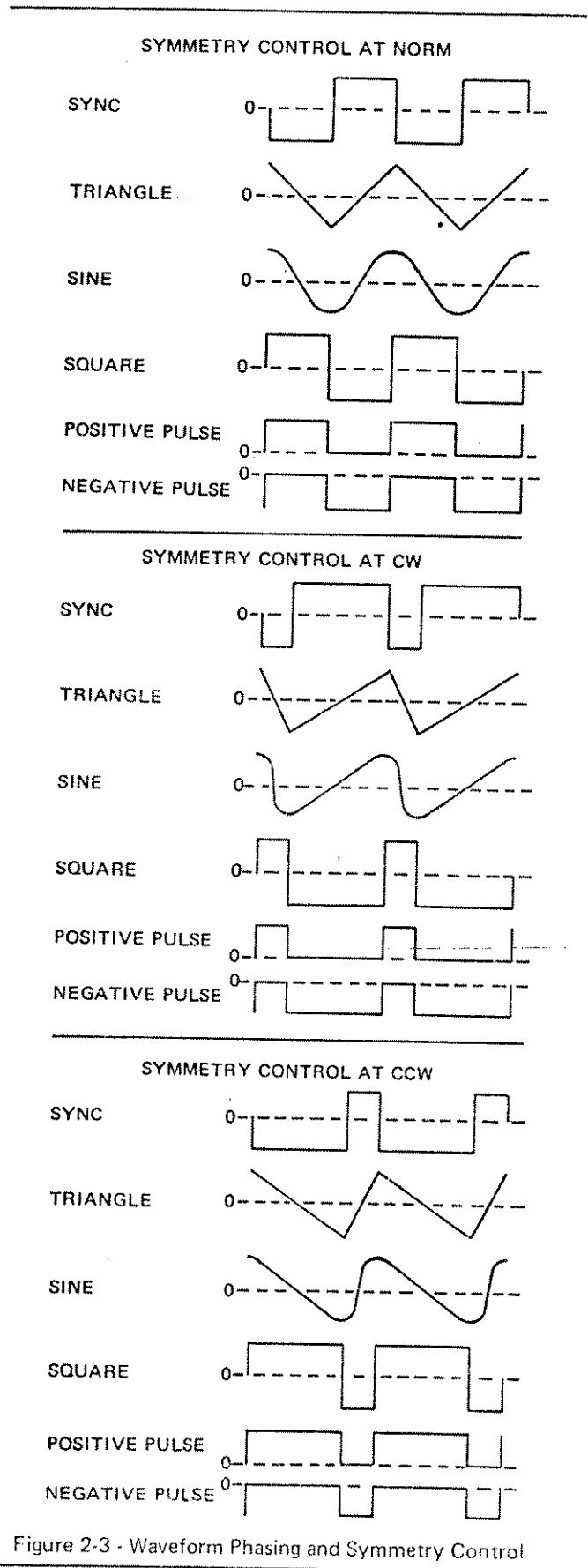


Figure 2-3 - Waveform Phasing and Symmetry Control

## 2.5.2 Operation as a Voltage Controlled Generator

The VCG input connector can be used to externally control the frequency of the generator. If a positive voltage is applied to the VCG input terminal the frequency will increase from the dial setting. A negative voltage will cause the frequency to decrease from the dial setting. The VCG range of the Model 142 is 1000:1. On any range multiplier setting, the frequency can be controlled from .01 x the multiplier to 10 x the multiplier. The nomograph of Figure 2-4 shows the characteristics of the VCG circuit. Column A gives the frequency dial setting, column B, the VCG voltage and column C, the resultant frequency of the generator.

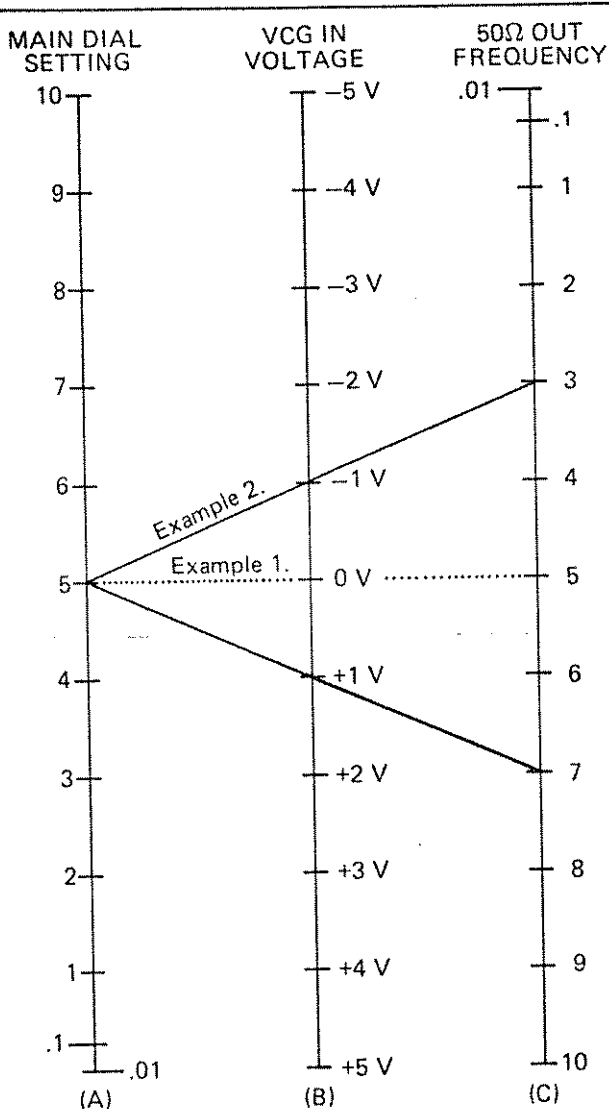


Figure 2-4 - VCG Voltage-to-Frequency Nomograph

In example 1, the dial is set at 5 and 0 volts VCG input voltage is applied. Extend a straight line from 5 (dial setting) through 0 volts (VCG voltage). The result is an output frequency of 5. (Multiplied by the range multiplier). In example 2, the dial is set at 5 and a varying VCG voltage of  $-1$  V to  $+1$  V is applied. By extending straight lines through the appropriate position it can be seen that the frequency will vary from 3 to 7 (x the range multiplier).

In order to set the generator at .01 x the range multiplier (1/1000 of the range) the following procedure is to be followed:

- Using the frequency dial and a counter or oscilloscope, set the generator frequency to  $0.1$  x the range multiplier.
- By rotating the vernier counter-clockwise, decrease the frequency to  $.01$  x the range multiplier.

As can be seen from the nomograph a  $+5$  volt VCG input will then cause the frequency to increase to the maximum of  $10$  x the range (and increase from  $.01$  to  $10$  i.e. 1000:1).

## 2.5.3 Floating Output

This instrument is shipped from the factory with the signal ground floating above chassis ground, unless otherwise specified at the time of purchase. If a common signal/chassis ground is desired, perform the following modification:

- Disconnect the power cord, loosen the two captive thumb screws on the rear panel, and remove the rear panel.
- Slide the dust cover out from the rear, loosen the two screws on the rear plate and the two screws on the power supply board (at bottom of chassis) and remove the power supply board, flipping it over on the way out.
- Solder one end of an insulated wire to the ground lugs (green wire) of the power connector and push the other end through the small opening on the main circuit board.
- Solder the other end of the insulated wire to the ground terminal on the power supply board.

# SECTION 3

## CIRCUIT DESCRIPTION

### 3.1 SIMPLIFIED BLOCK DIAGRAM ANALYSIS

Refer to Figure 3-1, the Simplified Block Diagram, and Figure 3-2, the Simplified Timing Diagram, when reading this description. Paragraph 3.2 and its sub-paragraphs provide further descriptions of the functions of the basic

circuits comprising this instrument. This paragraph describes, briefly, the major circuit elements and their relationship to one another.

As shown in Figure 3-1, the VCG Summing Amplifier sums the currents from the FREQ DIAL, VERNIER, and

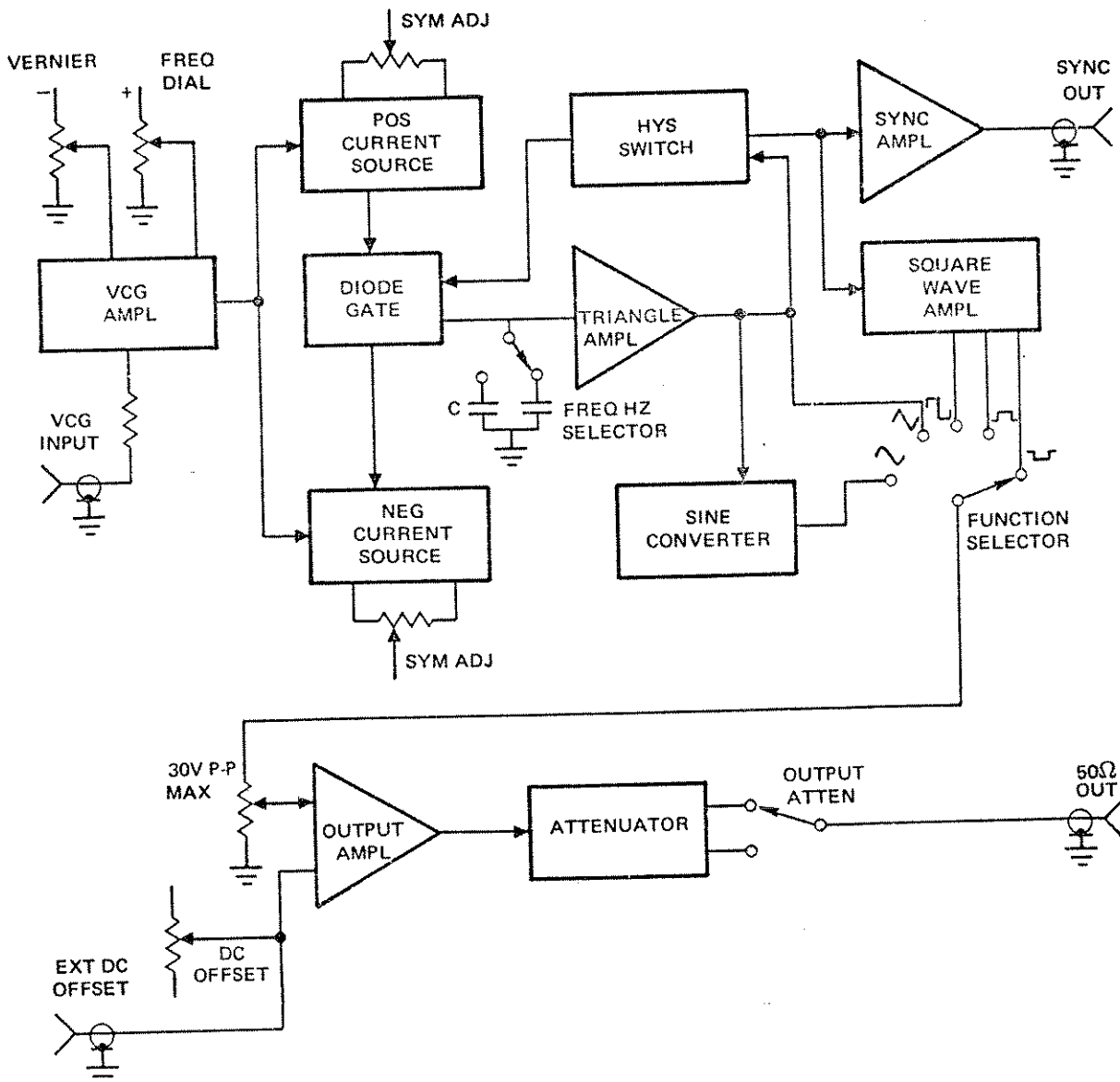


Figure 3-1 - Simplified Block Diagram

VCG IN connector. The VCG Summing Amp is an inverting amplifier whose output voltage is used to control a positive current source and a negative current source. For symmetrical output waveforms, the currents from the two current sources are equal and directly proportional to the voltage of the VCG Summing Amplifier output. The Diode Gate, which is controlled by the Hysteresis Switch, is used to switch the positive current or the negative current to the timing capacitor selected by the FREQ HZ

the control voltage into the Diode Gate becomes negative, it will switch the positive current out and switch the negative current in to the timing capacitor, so that the voltage across the capacitor will reverse, starting a linear decrease of the waveform. When the decreasing voltage reaches  $-1.25\text{V}$ , the output of the Hysteresis Switch will switch back to positive, reversing the process. This action generates the triangle waveform as shown in Figure 3-2. Since the output of the Hysteresis Switch is a square wave, the result is simultaneous generation of a square wave and a triangle wave at the same frequency.

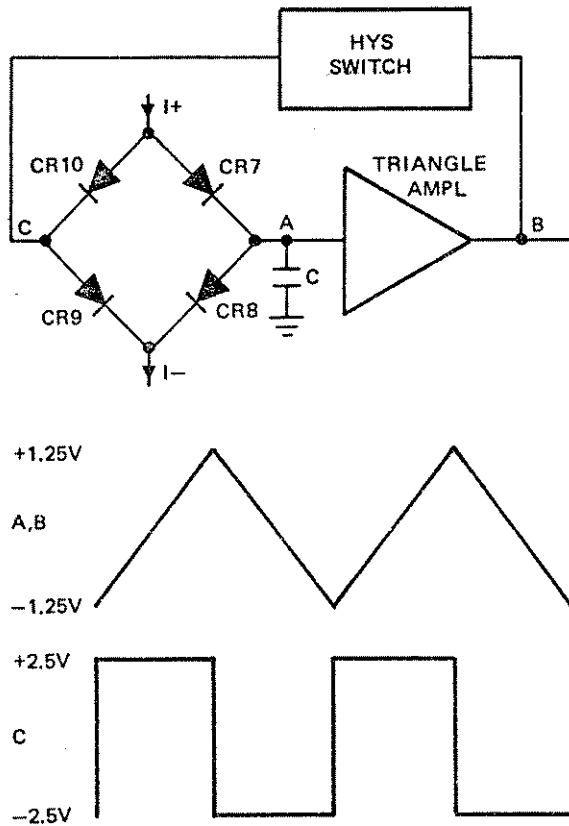


Figure 3-2 - Simplified Timing Diagram

selector. If the positive current is switched into the timing capacitor, the voltage across the capacitor will rise linearly to generate the triangle rise transition. If the current is negative, the voltage across the timing capacitor will fall linearly to produce the fall transition.

The Triangle Amplifier is a unity gain amplifier whose output is fed to the Hysteresis Switch as well as to the Sine Converter. The Hysteresis Switch has two voltage limit points ( $+1.25\text{V}$  and  $-1.25\text{V}$ ).

During the time the output voltage of the Triangle Amplifier is rising, the output voltage of the Hysteresis Switch is positive. But when the output voltage of the Triangle Amplifier reaches  $+1.25\text{V}$ , it triggers the Hysteresis Switch causing the switch output to go negative. Once

The output frequency is determined by the magnitude of the capacitor selected by the FREQ HZ selector and the magnitude of the positive and negative current sources. Since the current sources are linearly proportional to the control voltage of the VCG circuit, the output frequency will also be linearly proportional to the control voltage.

If the current of the negative current source is decreased by 19 times, the fall time of the triangle will be 19 times longer than the rise time of the triangle; resulting in an unsymmetrical waveform and a division of the frequency by a factor of 10. Gradually increasing the current from the negative current source and decreasing the current from the positive current source in such a way that the period for the triangle to complete one cycle remains constant, the symmetry of the output waveform can be continuously varied while the frequency is held constant.

The inverted output of the Hysteresis Switch is fed to the Sync Amplifier and also the Square Wave Amplifier. The Square Wave Amplifier consists of a shaping circuit which limits the output swing to  $\pm 1.25\text{V}$ . For positive pulse outputs, it limits the output voltage swing from  $-1.25\text{V}$  to  $0\text{V}$ ; and for negative pulse outputs, it limits the output swing from  $0\text{V}$  to  $+1.25\text{V}$ .

The output signal from the Triangle Amplifier is applied to the Sine Converter, consisting of a sine shaping circuit and a sine amplifier.

The sine, triangle, square, positive pulse, or negative pulse is fed to the Output Amplifier through the WAVEFORM SELECTOR switch and the  $30\text{V P-P MAX}$  control. The Output Amplifier is an inverting amplifier whose output is fed into a step attenuator and then to the output BNC connector.

The Attenuator consists of four pi attenuators, each having a  $50\text{-ohm}$  input impedance and a  $50\text{-ohm}$  output impedance. There is one  $-10\text{ dB}$  attenuator, one  $-20\text{ dB}$  attenuator, and two  $-30\text{ dB}$  attenuators. By combining them in different combinations, these four attenuators provide  $10\text{ dB}$  steps of attenuation; from  $0\text{ dB}$  to  $-60\text{ dB}$ .



### 3.2 FUNCTIONAL BLOCK DIAGRAM ANALYSIS

As each functional circuit is described, refer to the appropriate block diagram and, if necessary, the appropriate portions of the schematic diagrams at the rear of this manual.

#### 3.2.1 VCG Amplifier and Current Sources

As shown in Figure 3-3, IC2 is connected as a Summing Amplifier to sum the VCG input current through R89, the current from the FREQ DIAL R82, and the current from the VERNIER control R90. IC2 is an inverting

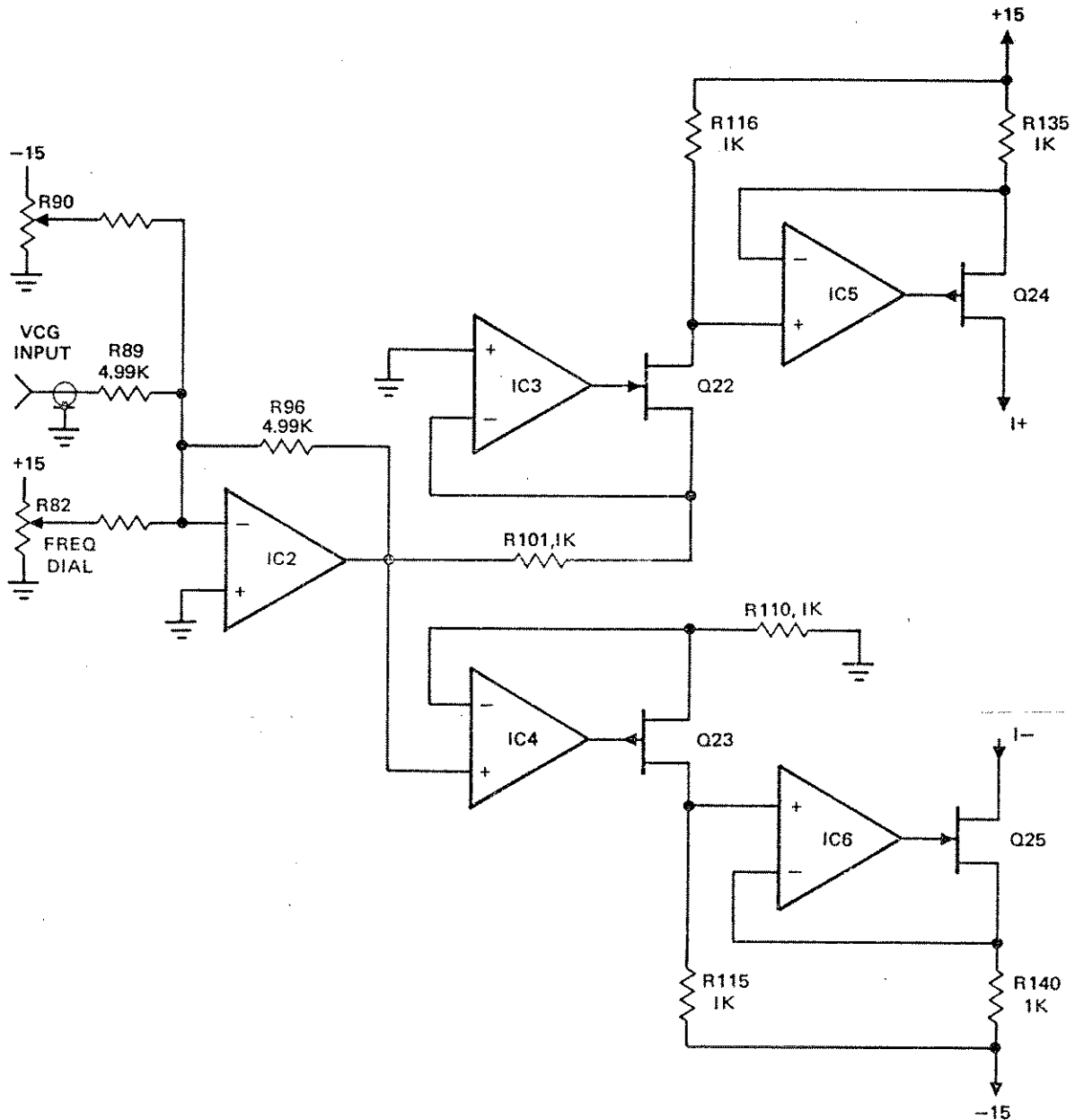


Figure 3-3 - VCG Amplifier and Current Sources

amplifier whose output voltage will change from 0 to -5 volts under normal operating conditions. Transistor Q21 limits the output swing to 0 and -7 volts. The output of IC2 is used to control both the positive and negative current sources, IC3 through IC6.

The negative input of IC3 is held at 0 volts by its feedback. The current through R101 would be directly proportional to the output voltage of IC2 if all the source currents of IC3 and IC5 are neglected, and the current through R116 would be equal to the current through

R101. Therefore, the voltage drop across R116 would be equal to the voltage drop across R101. Thus, amplifier IC3 is operated as a voltage level shifter to shift the voltage referenced from ground to a voltage referenced from +15 volts.

Due to the feedback control of amplifier IC5, the voltage drop across R135 would be equal to the voltage drop across R116 which in turn is equal to the voltage output of amplifier IC2. Since the positive current output from Q24 is directly proportional to the voltage across R135, it must also be proportional to the control voltage of the VCG amplifier.

Amplifiers IC4 and IC6 are very similar to amplifiers IC3 and IC5 except that IC3 is an inverting amplifier and IC4 is a non-inverting amplifier. If all the 1 k $\Omega$  resistors in Figure 3-3 are well matched, the positive output current (I+) and the negative output current (I-) will be equal and directly proportional to the control voltage. These two currents are alternately switched into a timing capacitor to generate a triangle waveform.

By increasing the resistance of R101 by 19 times, the voltage drop across R116 and R135 will be reduced to 1/19th of what it had been. Therefore, the output current (I+) will be 1/19th the negative current (I-). In this condition, a nonsymmetrical triangle with a rise to fall ratio of 19 to 1 and a frequency of 1/10th the original frequency (symmetrical frequency) is generated. If the resistance of R101 is decreased and the resistance of R110 is increased by exactly the same amount, the symmetry ratio will be gradually changed while the output frequency remains constant. Dual potentiometers R99 and R103 provide this SYMMETRY control.

For FREQ HZ multipliers of X10 to X1M, R135 and R140 are 1 k $\Omega$  resistors. Changing the FREQ HZ multiplier is accomplished by changing the timing capacitors connected to the diode gate.

For frequency ranges below X10, R135 and R140 are changed instead of changing the timing capacitors. In this case, the current from the current sources will go as low as 50 nA, and the source current of IC5 and IC6 can not be neglected. Therefore, a high impedance buffer amplifier Q26 and Q27 is inserted between Q24 and IC5, and another buffer amplifier Q28 and Q29 is inserted between Q25 and the negative input of IC6.

Q27 is connected as a constant current source supplying the bias current to Q26 and minimizing the change of  $V_{GS}$  of Q26 with temperature change. R129 provides dc offset adjustment of the buffer amplifier. Q28 and Q29 function exactly like Q26 and Q27.

Refer to the Main Board schematic diagram 142-210 at the rear of this manual. FREQ DIAL control R82 controls the amount of current supplied to the summing node of the VCG amplifier, thus controlling the output frequency. VERNIER control R90 provides fine frequency control. R93 is the zero adjustment for the negative input of IC2, so the VCG input terminal is not dependent on source impedance. R87 provides source current compensation for the negative input of IC2, permitting frequency adjustments at the minimum setting of the FREQ DIAL. The 100 k $\Omega$  potentiometers associated with IC3, IC4, IC5, and IC6 are used to zero offset the input terminal of the corresponding amplifiers.

### 3.2.2 Triangle Amplifier

The Triangle Amplifier consists of transistor Q1 through Q8, with Q1 and Q2 forming a very high input impedance differential pair. Q3 and Q4 supply constant bias currents to the differential pair, increasing the open loop gain of the amplifier. Q5 is connected as a 7-volt zener diode to shift the output level of Q6. The overall Triangle Amplifier is a unity gain amplifier with very low output impedance.

### 3.2.3 Hysteresis Switch

The Hysteresis Switch consists of a comparator and a flip-flop. The integrated circuit IC1 (CA3049) is the comparator, consisting of two differential amplifiers. One side of each differential amplifier, pin 7 and pin 10, are connected to ground through 22 ohm resistors. Potentiometers R23 and R12 establish the high and low voltage limits for the comparator. When the output of the Triangle Amplifier reaches +1.25 V, the transistor connected to pin 1 of IC1 will be conducting, and the collector current through pin 12 will be large enough to turn on the tunnel diode CR11, which in turn changes the state of the flip-flop. When the output of the Triangle Amplifier reaches -1.25 volts, the transistor connected to pin 7 of IC1 conducts and its collector current at pin 6 will be large enough to turn on tunnel diode CR13, reversing the state of the flip-flop.

There are three RC networks connected to pin 1 and three RC networks connected to pin 4 of IC1. These six RC networks provide frequency response compensation for IC1 and the entire loop of the Triangle Generator so that it will have a flat frequency response from dc to 10 MHz.

The flip-flop is comprised of transistors Q10 through Q16, with Q12 and Q13 connected as a differential pair. Q14 supplies a constant bias to the differential pair, preventing saturation during their "on" state. Q11 and Q16 are

voltage followers whose output is fed back to Q12 and Q13 through R46, R47, R54, and R55 forming the flip-flop configuration. Q9 is connected as a 7-volt zener reference for IC1 and the flip-flop.

In the state where Q13 is conducting and Q12 is cut off, the voltage at the emitter of Q16 is high (+2.5 V) and the voltage at the emitter of Q11 is low (-2.5 V). Once tunnel diode CR13 is turned on by IC1, the  $V_{be}$  of Q15 will increase until Q15 turns on and in turn Q13 is turned off. This causes the emitter voltage of Q16 to drop to -2.5 V which, through feedback resistors R47 and R46, keeps Q12 in the on state. Thus the emitter voltage of Q11 will rise to +2.5 volts. Although the tunnel diode CR13 is turned on only a very short time during the peak of the triangle waveform, Q13 will remain in the off state because of the feedback through R46, R47, R54, and R55. The output of Q11 is used to drive the diode gate.

### 3.2.4 Diode Gate

As shown in Figure 3-4, the Diode Gate consists of four diodes, CR7 through CR10. Assume that the voltage at point C is +2.5 V. Diodes CR7 and CR9 are then forward biased, and CR8 and CR10 are reverse biased. The negative current source ( $I_-$ ) will draw current from the Hysteresis Switch through CR9, but the positive current source ( $I_+$ ) will charge up the timing capacitor "C" through CR7. The

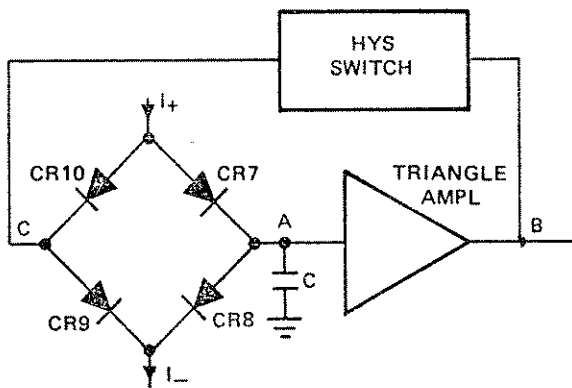


Figure 3-4 - Simplified Diode Gate Diagram

result is a linear rise of voltage across the timing capacitor. When this voltage reaches +1.25 volts, the output of the Hysteresis Switch will change to -2.5 volts. In this state, CR8 and CR10 are forward biased and CR7 and CR9 are reverse biased. The positive current will be diverted to the Hysteresis Switch through CR10 and the negative current source will draw current from the timing capacitor through CR8. This action causes a linear discharge of the timing capacitor. The process is repeated, thus a triangle waveform is generated.

### 3.2.5 Sine Converter and Amplifier

The Sine Converter is a sealed subassembly containing matched diodes and precise current-biasing resistive networks. When a precise triangle wave is fed into the shaping network, through voltage divider R149 and R148, the triangle wave is shaped into a sine wave. Potentiometers R159 and R168 adjust the voltage supplied to the sine converter to obtain minimum sine distortion. The amplitude of the sine converter output is approximately 150 mV p-p. This voltage is amplified to approximately 2.5 V p-p by the Sine Amplifier.

The Sine Amplifier consists of transistors Q30 through Q35 connected as a differential feedback amplifier. The gain of the amplifier is controlled by R165, R164, and R158. R145 and R146 compensate the source current into Q30 to minimize the distortion of the sine converter output.

### 3.2.6 Square Amplifier

The inverted output from Hysteresis Switch Q16 ( $\pm 2.5$  volt square wave) is fed to the Square Wave Shaper comprised of CR14 through CR19. For a square wave output, CR14 and CR19 are reverse biased. In one state, if the cathode voltage of CR15 is +2.5 volts, CR15 and CR17 will be reverse biased and CR16 and CR18 will be forward biased. The output at the cathode of CR18 is limited to +1.25 volts by the current through R63 and R64 into R69. When the input voltage is switched to -2.5 volts, CR15 and CR17 will be forward biased and CR16 and CR18 will be reverse biased, limiting the output at the cathode of CR18 to -1.25 volts by the current through R66 and R67 into R69.

When the positive pulse output is selected by the WAVEFORM SELECTOR switch, the cathode of CR14 is connected to ground through R61. In this configuration, the output at the anode of CR18 will be limited to a voltage swing of -1.25 and zero. Because the output amplifier is an inverting amplifier, the signal at the 50Ω OUT connector will be a positive pulse. In a similar manner, when the anode of CR19 is connected to ground through R61, the output swing at the cathode of CR18 will be limited to zero and +1.25 volts, resulting in a negative pulse at the 50Ω OUT connector.

C26 is a high frequency filter to filter the high frequency noise on the square wave, resulting in a cleaner signal. At this point, the output signal is buffered by a double emitter follower stage consisting of Q17 and Q18, and the output at the common emitters is applied to the output amplifier through the contacts of the WAVEFORM SELECTOR switch.

### 3.2.7 Sync Amplifier

The inverted output signal from Hysteresis Switch Q16 is also applied to another double emitter follower stage consisting of Q19 and Q20. The output at the common emitters of this stage is applied directly to the SYNC OUT connector at the front panel.

### 3.2.8 Output Amplifier

The Output Amplifier is comprised of a low frequency dc amplifier and a high frequency ac amplifier. The high frequency amplifier consists of Q50 thru Q55. IC8, an integrated circuit, is the low frequency dc amplifier. A simplified schematic of the Output Amplifier is shown in Figure 3-5. Refer to figure 3-5 during the following circuit description.

Assume that both the input and the output voltages are zero. The voltage at point A should also be zero. Because of the symmetrical configuration of the amplifier, the current through Q52 and Q53 will be equal, and the output will remain at zero.

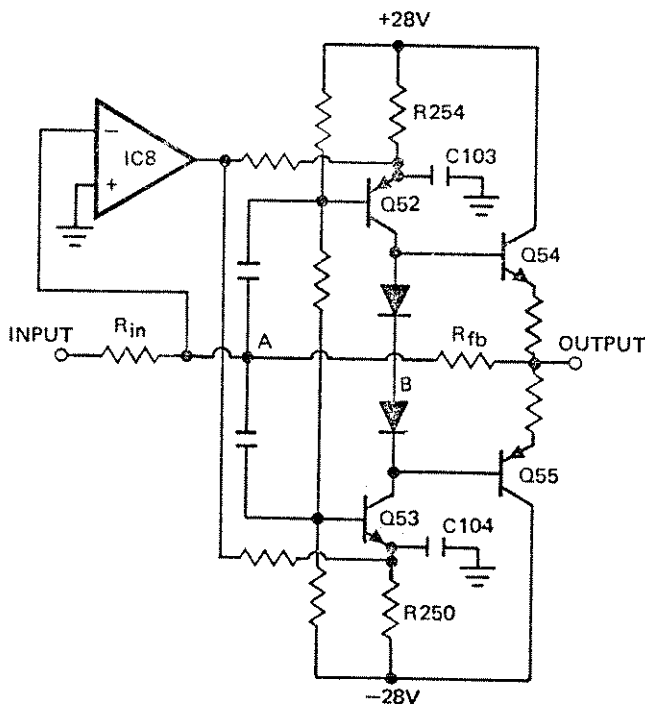


Figure 3-5 - Simplified Output Amplifier

If the input voltage goes positive, the voltage at point A will rise by a certain amount. This will cause the base voltage of Q52 to rise closer to +28 volts and at the same time cause the base voltage of Q53 to rise further away from -28 volts. Thus, the emitter-base junction of Q52 will be less forward biased therefore reducing its

emitter current, while the emitter current of Q53 will increase because of the increased forward bias of its emitter-base junction. The result is that the voltage at point B and the output voltage will start to go negative. Finally, when the output has moved far enough negative to pull point A back to zero, the collector currents of Q52 and Q53 will again be equal and the voltage at point B will stabilize. The amount of negative voltage at the output required to pull point A back to zero is controlled by the ratio of  $R_{fb}$  and  $R_{in}$ , and this ratio is the gain of the output amplifier.

IC8 is a high gain low frequency amplifier used to bias the high frequency amplifier and to improve the overall open loop gain. Referring back to the main board schematic, the high frequency amplifier is dc isolated from the input by capacitance coupling to the bases of Q50 and Q51, then employs the low frequency amplifier IC8 to bias the emitters of Q52 and Q53 to obtain the required dc stability and high open loop gain. Emitter followers Q50 and Q51 increase the driving power to the bases of Q52 and Q53.

CR34 and CR35 compensate for the emitter-base junction voltage drops of Q54 and Q55 to reduce crossover distortion. The resistor-diode networks CR36, R263 and CR37, R264 serve to reduce the emitter resistance of Q54 and Q55 at high output current level, but maintain a full  $10\Omega$  emitter resistance at low output current level to protect Q54 and Q55 from damage due to thermal runaway.

R234, C88, and C89 form a high frequency compensation network which improves the corners of the square wave output at high frequencies. The two resistor-capacitor networks, R252, C103, and R253, C104, are emitter bypass circuits to maintain the high frequency amplifier gain during the transition time prior to the dc amplifier taking effect. This improves the rise-time since the dc amplifier requires a few microseconds to respond and stabilize. Another compensation is C97 which bypasses R247 to give the signal a low impedance path during the signal transition allowing faster and more symmetrical rise and fall times.

Potentiometer R228 is used to calibrate the gain of the amplifier and C95 is used to calibrate the overshoot of the square wave output. The 30 V P-P MAX control R172 provides continuous adjustment of the output level over a range of 0 to -20 dB. This is in addition to the attenuation provided by the output step attenuator. Calibration potentiometer R188 is used to zero the offset of the output amplifier, and R167 is the front panel DC OFFSET potentiometer.

### 3.2.9 Output Attenuator

The Output Attenuator consists of four pi attenuators with some modification to minimize the number of components

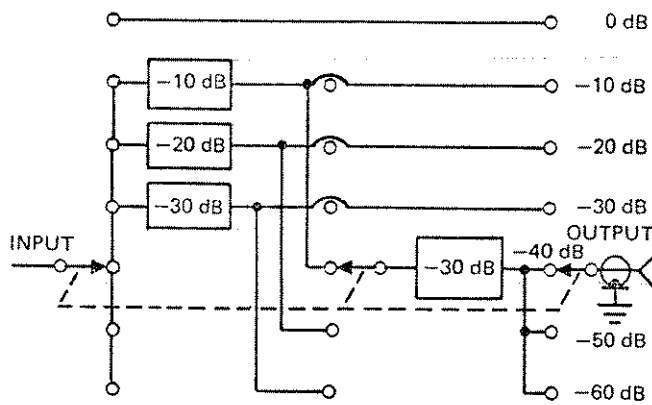


Figure 3-6 - Simplified Output Attenuator

used. The four attenuators employed are -10 dB, -20 dB, and two -30 dB; all with 50Ω input and output impedances. When the OUTPUT ATTENUATOR control is used to select -10 dB, -20 dB, or -30 dB; only one pi attenuator is used. When -40 dB, -50 dB, or -60 dB is selected; the second 30 dB pi attenuator is used in series with the appropriate attenuator to yield the desired total attenuation.

### 3.2.10 Power Supply

AC voltage is coupled from the transformer secondary to the bridge rectifiers CR1 through CR8. Filtering is provided by C1, C2, C10, and C12. Q9 is connected and operated as a zener reference for the +15 V supply. IC1

is a comparator differential amplifier whose output is used to drive transistor amplifier Q4, whose output at the collector is used to drive a Darlington connected pair consisting of Q1 and Q2. The Darlington connected pair provides added current gain; Q3 is a current limiting device. The base voltage of Q3 is biased by voltage divider R5 and R7 to be slightly below +15 volts. Therefore, for normal operation Q3 is reverse biased and no current flows through its collector. However, when the output current from the +15 volts exceeds a certain limit, the voltage drop across R12 will increase to a point exceeding the total voltage across R5 plus the base-emitter voltage of Q3, forward biasing Q3. The current driving the base of Q2 will be diverted to the collector of Q3, causing the power supply voltage to drop below normal operating voltage. As the power supply voltage drops, voltage divider R5 and R7 has more effect on the base of Q2; eventually turning it off completely. When the overload condition is removed, the normal condition will be restored.

The diode, CR9, across the input terminals of IC1 prevents latch-up. Potentiometer R21 is used to calibrate the +15 volt supply. The -15 volt, and ±28 volt supplies have similar circuitry. The -15 volt supply is referenced to the +15 volt supply while the +15 volt supply is referenced to the -15 volts. The -28 volt supply is referenced to the -15 volts, and the +28 volts is referenced to the +15 volt supply.

### 3.3 SUPPLEMENTAL CIRCUITS

There are no unique or supplemental circuits within the Model 142 HF VCG Generator to be separately described as "Supplemental Circuits". The preceding circuit descriptions adequately describe the circuitry of the Model 142 to the degree required by a competent technician.

# SECTION 4 MAINTENANCE

## 4.1 ACCESS INSTRUCTIONS

Removal of the dust cover affords quick access to the majority of components within the unit. However, it may be necessary to remove the Power Supply Board or other parts to gain access to those components not exposed by removing the dust cover.

### 4.1.1 Removing the dust cover

To remove the dust cover (case) from the Model 142, the following procedure should be followed:

1. Unplug the power cord and unscrew the two captive screws on the rear panel.
2. Remove the rear casting and, with the instrument setting face down, lift the cover off slowly.
3. Reverse this procedure when replacing the dust cover. Tighten the two captive screws only finger-tight.

### 4.1.2 Removing the Power Supply Board

1. Remove two screws holding the Power Supply Board to the two side panels.
2. Loosen the two screws (from the outside of the rear plate) which hold the heat sink for the four power supply transistors.
3. Flip the Power Supply Board out of the chassis, toward the rear, and mount the board on the outside of the rear plate using the same two screws and the same two holes used to mount the heat sink.

---

### NOTICE

---

This instrument can be operated with the power supply board mounted on the outside of the rear plate. However, it should never be operated without having the heat sink of the power supply board connected to the rear plate of the unit, as the rear plate is also used as a portion of the heat sink for the power transistors.

---

### NOTICE

---

### 4.1.3 Switch Bracket Removal

1. Remove the four front panel knobs labeled OUTPUT, ATTN, DC OFFSET, SYMMETRY, and DC OFFSET MIN/MAX.
2. Unsolder the wire connected to the 50Ω OUT connector.
3. Loosen and remove the two screws which attach the switch bracket to the main circuit board, and slide bracket out toward the rear.
4. If necessary, unsolder the other wires connected to the switches.

### 4.1.4 Replacing Q54 and Q55

1. The base of the transistor heat sink is permanently secured with thermally conductive epoxy onto the front panel casting. To remove the transistor, unscrew the nuts holding the transistor to the base of the heat sink and unsolder the transistor leads on the main circuit board. Then remove transistor.
2. Before replacing the transistor, put some thermal compound or silicon grease along both sides of the bottom edge of the transistor for good thermal contact.

### 4.1.5 Front Panel Removal

1. Remove the rear panel and dust cover as described above, and unplug all the knobs.
2. Unsolder all BNC connectors, label and unsolder FREQUENCY DIAL potentiometer leads, and unscrew the two nuts which hold the power transistors into the heat sinks.
3. Remove bulb from the indicator lamp, and remove four front panel retaining screws.
4. Pull the front panel straight forward to remove it.

## 4.2 CALIBRATION INSTRUCTIONS

This paragraph provides complete sequential calibration instructions for this instrument. The instructions are

concise and are written for the experienced electronics technician or field engineer having a working knowledge of this type of instrumentation.

WAVETEK maintains a factory repair department for those customers not possessing the necessary test equipment or personnel to maintain this type of instrument. If an instrument is returned to the factory for calibration or repair, a detailed description of the specific problem should be attached. This will hasten turnaround time.

#### 4.2.1 Recommended Test Equipment

The following test equipment (or equivalent) is recommended for this calibration procedure. A quick checkout of the instrument can be made by comparing the indicated parameters with those given in the specifications portion of Section 1.

#### NOTE

*The entire calibration procedure must be read first to determine initial control settings and test equipment connections required before attempting recalibration. The steps of this procedure should be performed in the sequence given, and the parts within each step should also be performed in the sequence given.*

Table 4-1. TEST EQUIPMENT

Name	Required Characteristics	Recommended Manufacturer	Model
Oscilloscope	To 250 MHz	Tektronix	454
Oscilloscope	To 30 MHz	Tektronix	544
Plug-In	Dual channel	Tektronix	1A1
Plug-In	Peak mV measuring capability	Tektronix	1A5
Distortion Analyzer	To 600 kHz	Hewlett-Packard	334A
Spectrum Analyzer Display	To 50 MHz	Hewlett-Packard	141S
IF Section		Hewlett-Packard	8552A
RF Section		Hewlett-Packard	8553L
Differential Voltmeter	Microvolt dc measurement		
Counter	To 10 MHz	0.1% of reading accuracy	

#### 4.2.2 Preliminary Procedures

- Set the front panel controls to the positions listed below:  
 FREQ Hz . . . . . X 100  
 FREQ DIAL . . . . . 10  
 WAVEFORM SELECTOR . . . . . Sine  
 30V P-P MAX . . . . . 3/4ths of full CW  
 DC-OFFSET . . . . . 0  
 SYMMETRY . . . . . NORM  
 OUTPUT ATTEN . . . . . -10 dB  
 VERNIER . . . . . full CW  
 MIN/MAX . . . . . full CCW

#### 4.2.3 Power Supply Regulation


- Following the instructions in paragraph 4.1.2, attach the Power Supply Board to the rear plate of the instrument.
- Connect ac power to the instrument, and connect the voltmeter leads to TP1 (common) and TP2 (+15 V) on the Power Supply Board. See Figure 4-4.
- Adjust R21 for a reading of +15 Vdc ±20 mV on the voltmeter.
- Check the voltage at TP3 for -15 Vdc ±50 mV; at TP4 for +28 Vdc ±400 mV; and at TP5 for -28 Vdc ±400 mV.
- Replace the board and the dust cover, and allow the generator to warm up for at least 1/2 hour before calibration.

#### 4.2.4 VCG Amplifier – Zero Offset Adjustment


- Connect a 5.1 kΩ resistor to each test lead of the differential voltmeter for isolation to prevent integrated circuit oscillations.
- Set FREQ HZ to X 100, FREQ DIAL to full clockwise extreme, FREQ VERNIER to CAL, and SYMMETRY to NORM.
- Set the voltage between IC3(2), and IC3(3) to 0 Vdc ±100 μV, using R107. See Figure 4-4.
- Set the voltage between IC4(2), and IC4(3) to 0 Vdc ±100 μV, using R113.
- Set the voltage between IC5(2), and IC5(3) to 0 Vdc ±100 μV, using R123.
- Set the voltage between IC6(2), and IC6(3) to 0 Vdc ±100 μV, using R125.

13. With FREQ DIAL still fully clockwise, set the voltage between IC2(2) and ground (at R95) to 0 Vdc  $\pm 100 \mu\text{V}$ , using R93.
14. Set FREQ DIAL to 1 and adjust voltage between TP6 and TP7 to 0 Vdc  $\pm 200 \mu\text{V}$ , using R129.
15. Adjust voltage between TP8 and TP9 to 0 Vdc  $\pm 200 \mu\text{V}$ , using R132.

#### 4.2.5 Triangle Amplitude Adjustment

16. Set FREQ HZ to X 100, FREQ DIAL to 10, WAVEFORM SELECTOR to TRIANGLE, and SYMMETRY to NORM.
17. Connect the oscilloscope probe (a type W or 1A5 plug-in module should be used with the scope) to  position of the WAVEFORM selector switch, SW2, see Figure 4-4.
18. Adjust the triangle amplitude to  $\pm 1.25 \text{ V} \pm 5 \text{ mV}$ , using R12 and R23, see Drawing 142-010.

#### 4.2.6 Sine Distortion

19. Set FREQ HZ to X 100, VERNIER to CAL, WAVEFORM SELECTOR to SINE, FREQ DIAL to 10, and OUTPUT ATTEN to 0 dB.
20. Set 30 V P-P MAX control to 3/4ths of full CW, and connect oscilloscope probe to  position of the WAVEFORM selector switch (SW2), see Figure 4-4.
21. Adjust R153 so that the dc offset of the sine amplifier is zero.
22. Connect the test equipment as shown in Figure 4-1, and adjust R159, R168, and R145 for minimum sine wave distortion.
23. Set FREQ HZ to X 1K and readjust R159, R168, and R145 for optimum sine distortion.
24. Set FREQ HZ to X 100 and readjust R159, R168, and R145 if necessary.
25. Alternately perform steps 24 and 25 until the least amount of sine wave distortion is obtained on both ranges – typically .14%.

26. Adjust R165 for a 2.5 V p-p signal output from the sine amplifier  $\pm 25 \text{ mV}$ .

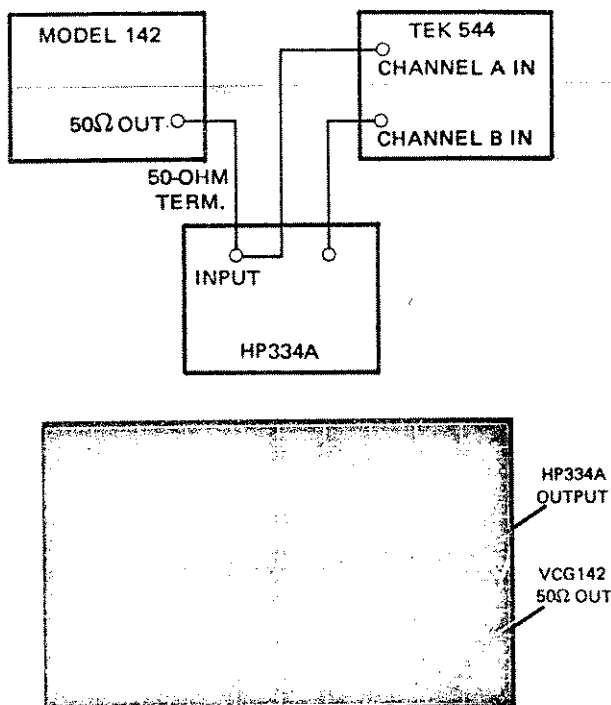


Figure 4-1 - Distortion Analysis Test Set-Up

27. Readjust R153 so that the dc offset of the sine amplifier is 0 V  $\pm 5 \text{ mV}$ .
28. Connect the Spectrum Analyzer as shown in Figure 4-2, and check the sine wave distortion at frequencies higher than 600 kHz. If distortion does not meet the specification, check calibration of C95, follow procedure 4.2.10.

#### 4.2.7 Frequency Calibration

29. Set FREQ HZ to X10K, FREQ DIAL to 10, VERNIER to CAL, and adjust R269 to obtain 100 kHz  $\pm 100 \text{ Hz}$ .

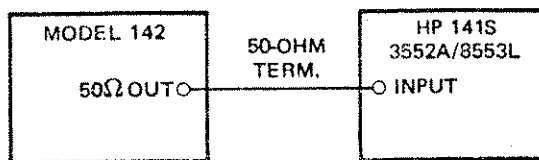


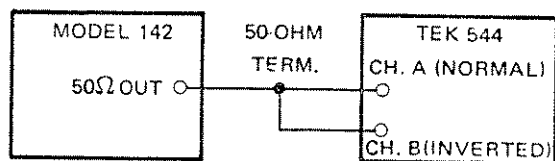
Figure 4-2 - Spectrum Analysis Test Set-Up



30. With FREQ HZ still at X10K, FREQ DIAL fully clockwise, VERNIER fully counterclockwise, and adjust R87 to obtain an output of 75 Hz  $\pm$ 5 Hz.
31. Rotate VERNIER to CAL position. The output frequency should be less than 1 kHz.
32. Set FREQ HZ to X1M, FREQ DIAL to 9, and adjust C1 to obtain an output frequency of 9 MHz  $\pm$ 10 kHz. Check frequency accuracy from 1 to 10 of the DIAL and readjust C1 to split the error if necessary. (Trim C2 if necessary.)
33. Set FREQ HZ to X100K, FREQ DIAL to 10, VERNIER to CAL, and adjust C10 to obtain 1 MHz  $\pm$ 1 kHz at the output. Check frequency accuracy from 1 to 10 of the DIAL and readjust C10 to split the error if necessary. (Trim C12 if necessary.)
34. Set FREQ DIAL to 10, VERNIER to CAL.
35. Set FREQ HZ to X1K, adjust R268 to obtain 10 kHz  $\pm$ 10 Hz.
36. Set FREQ HZ to X100, adjust R267 to obtain 1000 Hz  $\pm$ 1 Hz.
37. Set FREQ HZ to X10, adjust R84 to obtain 100 Hz  $\pm$ 0.1 Hz.

#### 4.2.8 Time Symmetry Adjustment

38. Refer to the following test set-ups during these calibration instructions.



Trigger: Internal

Display: Alternate

Time Base: .1 ms/division for 1/1000th of X100K range.

Figure 4-3 - Time Symmetry Measurement Test Set-Up

39. With 50Ω OUTPUT connected to the oscilloscope; set FREQ HZ to X 100K, FREQ DIAL to full clock-

wise extreme, and WAVEFORM SELECTOR to SQUARE WAVE.

40. Adjust the scope controls for a display speed of .1 ms/cm and adjust VERNIER control until the oscilloscope screen is filled by one complete cycle.
41. Alternately adjust R123 and R125 for optimum time symmetry, while keeping the total time period constant.

#### 4.2.9 Output Amplifier Adjustment

42. With the Model 142's 50Ω OUT connected to the oscilloscope using a 50Ω  $\pm$ 1% termination; set FREQ HZ to X 100, FREQ DIAL to 10, WAVEFORM SELECTOR to TRIANGLE and step attenuator to 0 db.
43. Set 30V P-P MAX control fully counterclockwise, and adjust R188 for amplitude symmetry about ground.
44. Set 30V P-P control fully clockwise, and adjust R228 for a 15 V p-p output amplitude.
45. Set WAVEFORM SELECTOR to SQUARE WAVE, and adjust R66 for +7.5V and R63 for -7.5V peak amplitude. (15.0 V p-p.)

#### 4.2.10 High Frequency Response Adjustment

46. Set FREQ HZ to X 1M, FREQ DIAL to 1, and WAVEFORM SELECTOR to SQUARE WAVE.
47. Adjust C95 for best square wave, without peaking, from 5 V p-p to 10 V p-p output amplitude.
48. Set WAVEFORM SELECTOR to SINE WAVE. FREQ DIAL to 10.
49. Adjust C48 to obtain 14 V p-p output amplitude.

#### 4.3 CORRECTIVE MAINTENANCE

If the instrument appears to be operating abnormally, and an investigation of input/output connections, as well as a calibration check, do not cure the problem; follow the trouble-shooting procedure outlined below. Localize the fault to a specific stage by following the outline in Table 4-2. Then check the dc operating voltages at the pins of the solid-state devices, and check passive components with a high input impedance ohmmeter (power off) before replacing a suspected semiconductor element.

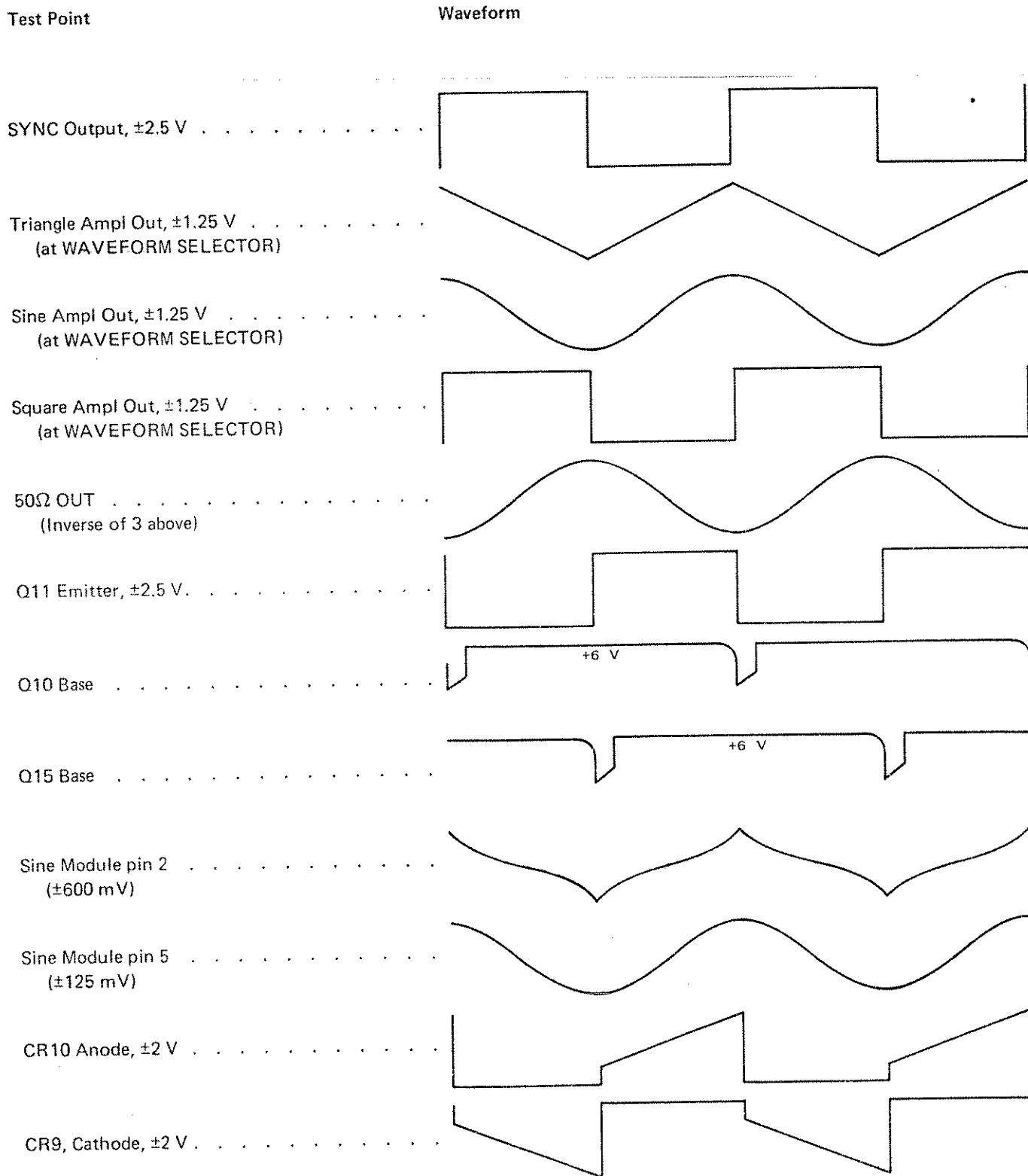
Table 4-2. TROUBLE-SHOOTING GUIDE (continued)

Symptom	Corrective Action
Blown Line Fuse . . . . .	Replace F1 with a slow blow fuse of the proper amperage. If fuse blows again, check the following: a) Q45 or Q47 may be shorted between the collector and emitter. b) Q1, Q8, Q10, or Q16 may be shorted to the heat sink bracket. c) A capacitor or transistor may be shorted. d) Check for loose wires or solder bridges on each printed circuit board.
Power Supply Malfunctions . . . . .	If there is a symptom of power supply malfunction, disconnect all wires between the power supply board and the main board and check the following: a) All power supply output voltages. If all are either too high or too low, the trouble is probably in the +15 V supply as all supplies are directly or indirectly referenced to it. b) Check CR9 through CR12. A defective or incorrectly polarized diode will cause the integrated circuits to latch up. c) Reference voltage at collector of Q9 should be +6.6 V $\pm 0.3$ V with +15 V in normal condition.
No output Signal . . . . . but SYNC output normal	The output amplifier is malfunctioning; see Output Amplifier Check outlined below.
No SYNC Output . . . . . but Output normal	The Sync Amplifier is malfunctioning; see Sync Amplifier Check outlined below. Also check Q19 and Q20 for proper operation.
No SINE Output . . . . . TRIANGLE and SQUARE are OK	Sine Amplifier is malfunctioning; See Sine Amplifier Check outlined below.
Badly Distorted SINE Output . . . . . TRIANGLE is OK	Sine Module is malfunctioning and should be replaced. First check Q34 or Q35 for possible trouble.
No SYNC and 50 $\Omega$ OUTPUT . . . . .	The Triangle Generator is not functioning properly. Check Triangle Amplifier, Hysteresis Switch, Diode Gate, and VCG circuits.
SQUARE WAVE Output . . . . . has Abnormally Slow Rise or Fall Times	Check all bypass capacitors (C103, C104, C93, C94 and C97) in the Output Amplifier. Check Output Amplifier as outlined below.
TRIANGLE Output has Constant . . . . . Positive Slope with change of Frequency	Check Q23 and Q25 for possible trouble; then check IC4 and IC6 and their associated circuitry.
TRIANGLE Output has Constant . . . . . Negative slope with Change of Frequency	Check Q22 and Q24 for possible trouble; then check IC3 and IC5 and their associated circuitry.
Checks VCG Amplifier & IC3-IC6 . . . . .	With SYMMETRY control set to NORM, slowly turn FREQ DIAL from 0.1 to 10 and observe the following:

Table 4-2. TROUBLE-SHOOTING GUIDE (continued)

Symptom	Corrective Action
VCG Amplifier & IC3-IC6 (Continued)	<ul style="list-style-type: none"> <li>a) Voltage at emitter of Q21 should move from 0 to -5 volts.</li> <li>b) Source of Q22 remains at 0 and drain moves from +15 V to +10 V.</li> <li>c) Source of Q23 moves from 0 to -5 V and drain moves from -15 V to -10 V.</li> <li>d) Source of Q24 moves from +15 V to +10 V.</li> <li>e) Source of Q25 moves from -15 V to -10 V.</li> <li>f) Voltage at drain of Q27 follows voltage at gate of Q26.</li> <li>g) Voltage at drain of Q29 follows voltage at gate of Q28.</li> </ul>
Triangle Amplifier Check	<p>Short the gate of Q1 to ground and check the following:</p> <ul style="list-style-type: none"> <li>a) Gate of Q2 is at 0 volts.</li> <li>b) Voltage across C14 is approximately 6.6 volts.</li> <li>c) If "a" or "b" is not true, check all transistors in Triangle Amplifier for possible trouble.</li> </ul>
Hysteresis Switch Check	<ul style="list-style-type: none"> <li>a) Voltage at collector of Q9 is approximately 6.6 volts.</li> <li>b) Voltage at collector of Q14 is approximately 7 volts.</li> <li>c) Voltage at junction of R49 and R50 is approximately -3 volts.</li> <li>d) For normal operation, voltage at the emitters of Q11 and Q16 switches between +2.5 volts and -2.5 volts. If switch does not oscillate, proceed as follows:</li> <li>e) If voltage at gate of Q2 is greater than +1.25 V, the voltage at the emitter of Q16 should be +2.5 V and the emitter of Q11 should be -2.5 V. If the voltage at the gate of Q2 is less than -1.25 V, the voltage at the emitter of Q16 should be -2.5 V and the emitter of Q11 should be +2.5 V or the Hysteresis Switch is malfunctioning.</li> <li>f) Q10 should be saturated if voltage at pin 1 of IC1 is above ground, and Q15 should be saturated if voltage at pin 4 of IC1 is below ground.</li> <li>g) If Hysteresis Switch appears to function normally, and Triangle Amplifier also appears to function normally, but no oscillations are present at the output; check CR7 through CR10, Q24 and Q25.</li> </ul>
Sine Amplifier Check	<p>If the voltage at the bases of Q30 and Q31 are not equal, check Q30 through Q35 for possible trouble.</p>
Output Amplifier Check	<p>Check the collector and emitter voltages of all transistors in the Output Amplifier circuit. Some key voltage test points are listed below:</p> <ul style="list-style-type: none"> <li>a) Voltage at junction of C94 and C93 is zero volt.</li> <li>b) Voltage at base of Q52 is approximately +19 volts.</li> <li>c) Voltage at base of Q53 is approximately -19 volts.</li> <li>d) Voltage at pin 12 of IC8 is between -5 volts to +10 volts.</li> </ul>

Table 4-3. KEY WAVEFORMS



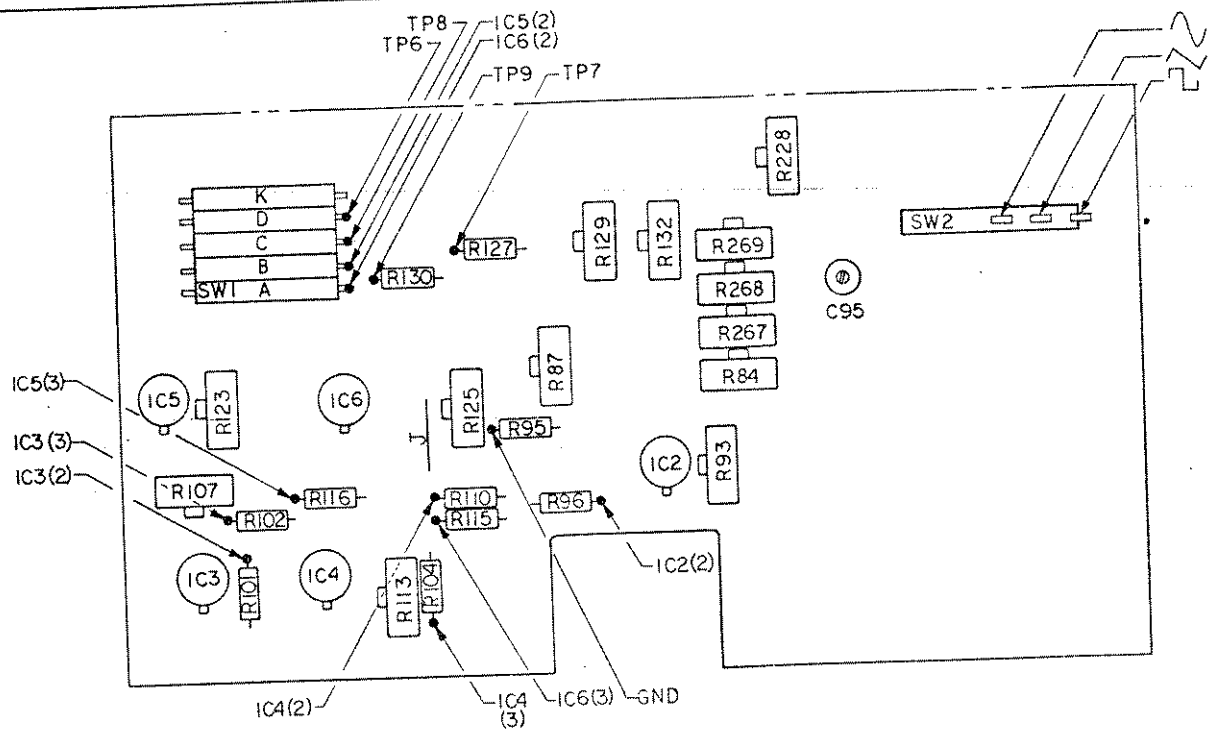


Figure 4-4 - Main Board Test & Calibration Points

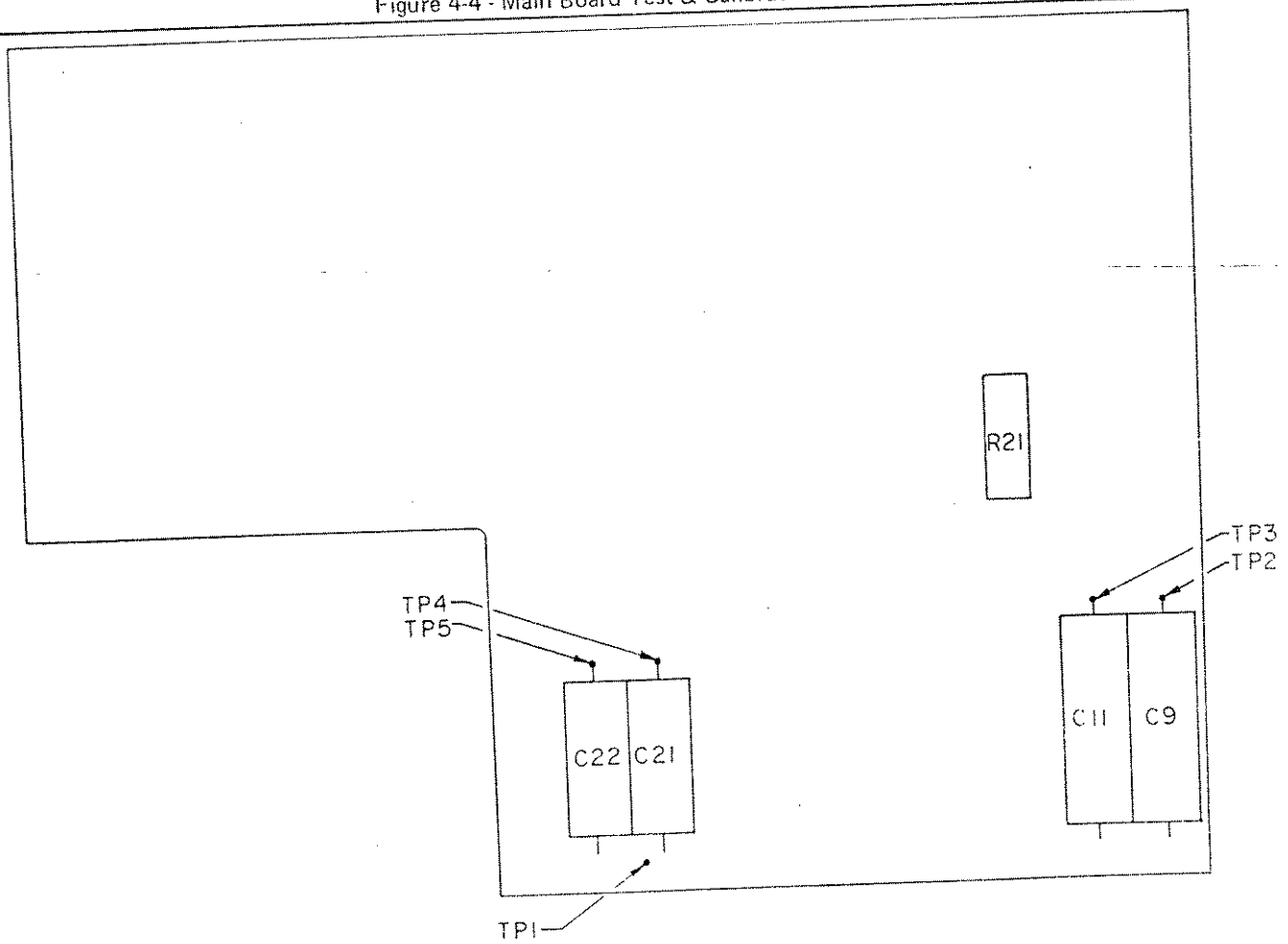


Figure 4-5 - Power Supply Test & Calibration Points

**DIAGRAMS ADDENDUMS AND PARTS LIST**

**5.1 DIAGRAMS**

The schematic diagrams within this manual are, wherever possible, arranged in the sequence followed in the circuit description. Whenever assembly drawings are included, they are positioned adjacent to the schematics for maximum information presentation and minimum page flipping. Additional voltage or waveform information, beyond that given in the circuit description, may be shown on the schematic diagrams, at test points and key locations throughout the instrument.

**5.2 ADDENDUMS**

Under WAVETEK's product improvement program, the latest electronic designs and circuits are incorporated into each WAVETEK instrument as quickly as development and

testing permit. Because of the time needed to compose and print instruction manuals, it is not always possible to include the most recent changes in the initial printing. Whenever this occurs, addendum pages are prepared to summarize the changes made under a WAVETEK Engineering Change Notice (ECN) and these ECN pages are inserted immediately inside the rear cover. If no such pages exist, the manual should be correct as printed.

**5.3 PARTS LISTS**

Whenever possible, an assembly drawing and the associated parts list are kept to one piece of paper or are positioned for maximum information presentation. The following list of manufacturers should be used in conjunction with the parts lists. The abbreviations shown below are used in the "Manufacturer Key" column on the parts lists.

**DRAWINGS**

The following assembly drawings (with parts lists) and schematics will be included at the rear of this manual, in the arrangement shown below:

<b>LEFT PAGE</b>	<b>RIGHT PAGE</b>
CHASSIS ASSEMBLY 142-000	CHASSIS SCHEMATIC 142-200
MAIN BOARD ASSEMBLY 142-010	MAIN BOARD SCHEMATIC 142-210
VCG/POWER SUPPLY ASSEMBLY 144-011	VCG/POWER SUPPLY SCHEMATIC 144-211
ATTENUATOR ASSEMBLY 142-003	ATTENUATOR SCHEMATIC 142-203
REAR PLATE ASSEMBLY 142-001	BRACKET ASSEMBLY 142-002

## DIAGRAMS ADDENDUMS AND PARTS LIST

### 5.1 DIAGRAMS

The schematic diagrams within this manual are, wherever possible, arranged in the sequence followed in the circuit description. Whenever assembly drawings are included, they are positioned adjacent to the schematics for maximum information presentation and minimum page flipping. Additional voltage or waveform information, beyond that given in the circuit description, may be shown on the schematic diagrams, at test points and key locations throughout the instrument.

### 5.2 ADDENDUMS

Under WAVETEK's product improvement program, the latest electronic designs and circuits are incorporated into each WAVETEK instrument as quickly as development and

testing permit. Because of the time needed to compose and print instruction manuals, it is not always possible to include the most recent changes in the initial printing. Whenever this occurs, addendum pages are prepared to summarize the changes made under a WAVETEK Engineering Change Notice (ECN) and these ECN pages are inserted immediately inside the rear cover. If no such pages exist, the manual should be correct as printed.

### 5.3 PARTS LISTS

Whenever possible, an assembly drawing and the associated parts list are kept to one piece of paper or are positioned for maximum information presentation. The following list of manufacturers should be used in conjunction with the parts lists. The abbreviations shown below are used in the "Manufacturer Key" column on the parts lists.

### DRAWINGS

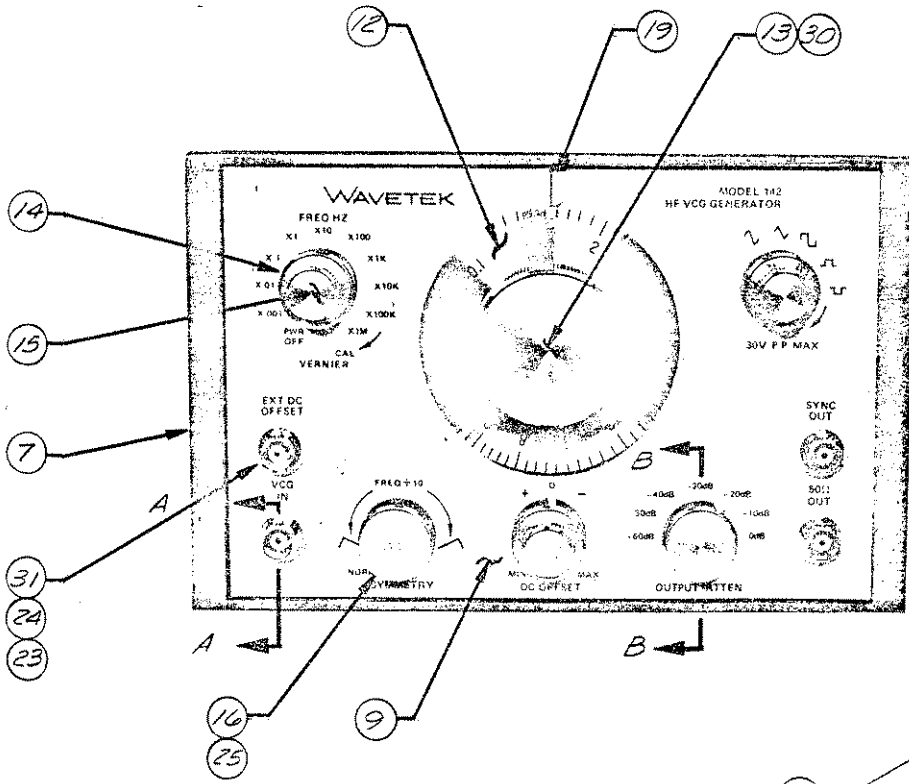
The following assembly drawings (with parts lists) and schematics will be included at the rear of this manual, in the arrangement shown below:

LEFT PAGE	RIGHT PAGE
CHASSIS ASSEMBLY 142-000	CHASSIS SCHEMATIC 142-200
MAIN BOARD ASSEMBLY 142-010	MAIN BOARD SCHEMATIC 142-210
VCG/POWER SUPPLY ASSEMBLY 144-011	VCG/POWER SUPPLY SCHEMATIC 144-211
ATTENUATOR ASSEMBLY 142-003	ATTENUATOR SCHEMATIC 142-203
REAR PLATE ASSEMBLY 142-001	BRACKET ASSEMBLY 142-002

## LIST OF MANUFACTURERS

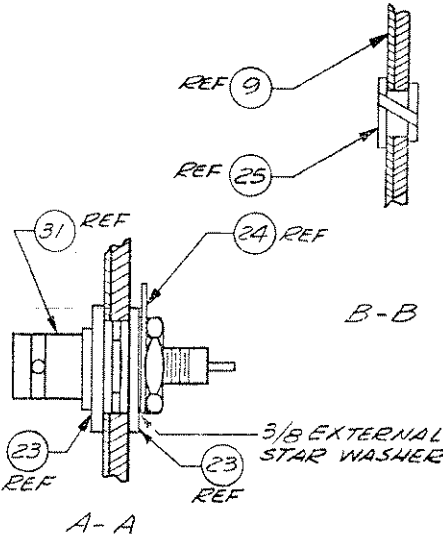
A-B . . . . .	Allen Bradley	IMB . . . . .	IMB Electronics Products
A-E . . . . .	Arco-Elmenco	IRC . . . . .	International Resistance Company
AER . . . . .	Aerovox	JEF . . . . .	Jeffers
ALC . . . . .	Alco Electronic Products Inc.	KEI . . . . .	Kings Electronics Inc.
AMP . . . . .	Amp Inc.	LIT . . . . .	Littelfuse
APL . . . . .	Amphenol	MAL . . . . .	Mallory
APX . . . . .	Amperex	M-C . . . . .	Mura Corp.
A-R . . . . .	American Radionics, Inc.	MEK . . . . .	Mektron
BEL . . . . .	Belden	M-O . . . . .	Marko-Oak
BMC . . . . .	Budwig Mfg. Co.	MOC . . . . .	Micro-Ohm Corp.
BOU . . . . .	Bourns	MOL . . . . .	Molex
B-T . . . . .	Boots-Townsend Aircraft	MOT . . . . .	Motorola
BUR . . . . .	Burroughs	M-R . . . . .	Milton Ross Co.
BUS . . . . .	Bussman	PPP . . . . .	Phipps Precision Products
CAM . . . . .	Cambion	Q-C . . . . .	Quality Components
C-D . . . . .	Cornell Dubilier	QHM . . . . .	Quality Hardware Mfg.
CGW . . . . .	Corning Glass Works	RCA . . . . .	Radio Corporation of America
C-J . . . . .	Cinch Jones	R-E . . . . .	Richey Electronics
C-K . . . . .	C and K Components	RMC . . . . .	Radio Material Co.
C-L . . . . .	Centralab	ROS . . . . .	Rosan Inc.
CTS . . . . .	Chicago Telephone Systems	R-T . . . . .	Rubber Teck Inc.
C-W . . . . .	Continental Wire	SCC . . . . .	Stackpole Carbon Co.
DEU . . . . .	Deutsch	SEL . . . . .	Selectro
DIO . . . . .	Diodes Inc.	SEM . . . . .	Semtech
E-C . . . . .	Electro Cube, Inc.	S-I . . . . .	Switchcraft Inc.
E-E . . . . .	Elma Engineering	SLC . . . . .	Shur-Lok Corp.
EFJ . . . . .	E.F. Johnson Co.	SPR . . . . .	Sprague
ELC . . . . .	Elco Corp.	S-T . . . . .	Sarkes Tarzian
ELP . . . . .	Elpac Inc.	STR . . . . .	Stettner & Co.
ETP . . . . .	Erie Technological Products, Inc.	SUP . . . . .	Superior Electric Co.
FCD . . . . .	Fairchild	SYL . . . . .	Sylvania
G-E . . . . .	General Electric	TAS . . . . .	Teledyne Amelco Semiconductor Co.
G-H . . . . .	Grayhill	T-I . . . . .	Texas Instruments, Inc.
G-R . . . . .	General Radio Co.	TRW . . . . .	TRW Capacitor Division
HHS . . . . .	Herman H. Smith, Inc.	USE . . . . .	USECO Inc.
H-P . . . . .	Hewlett-Packard	W-E . . . . .	Wells Electronics
IBM . . . . .	IBM Industrial Products	WEI . . . . .	Wakefield Engineering Inc.





**PARTS LIST**

REF DES	DESCRIPTION	MFGR	MFGR NO.	QTY
	RETAINER	TELMARC	5305-31	1
	POWER CORD	BELDEN	17258-S	1
R82	POTENTIOMETER	WAVETEK	A131-R1A	1
12,13,14,15	BNC CONNECTOR	KING	KC 7946	4



D	EW 682	8/14	4/6/52		
C	ECN 444		10/1/52		
B	380		1/14/71		
A	321		7/6/50		
rev		ecn			

tolerance unless otherwise specified  
 .XXX ± 0.10  
 .XX ± 0.30

**WAVETEK** san diego, Calif

scale *N/A* by *GEAY* date *7-6-70* app *P. ...*

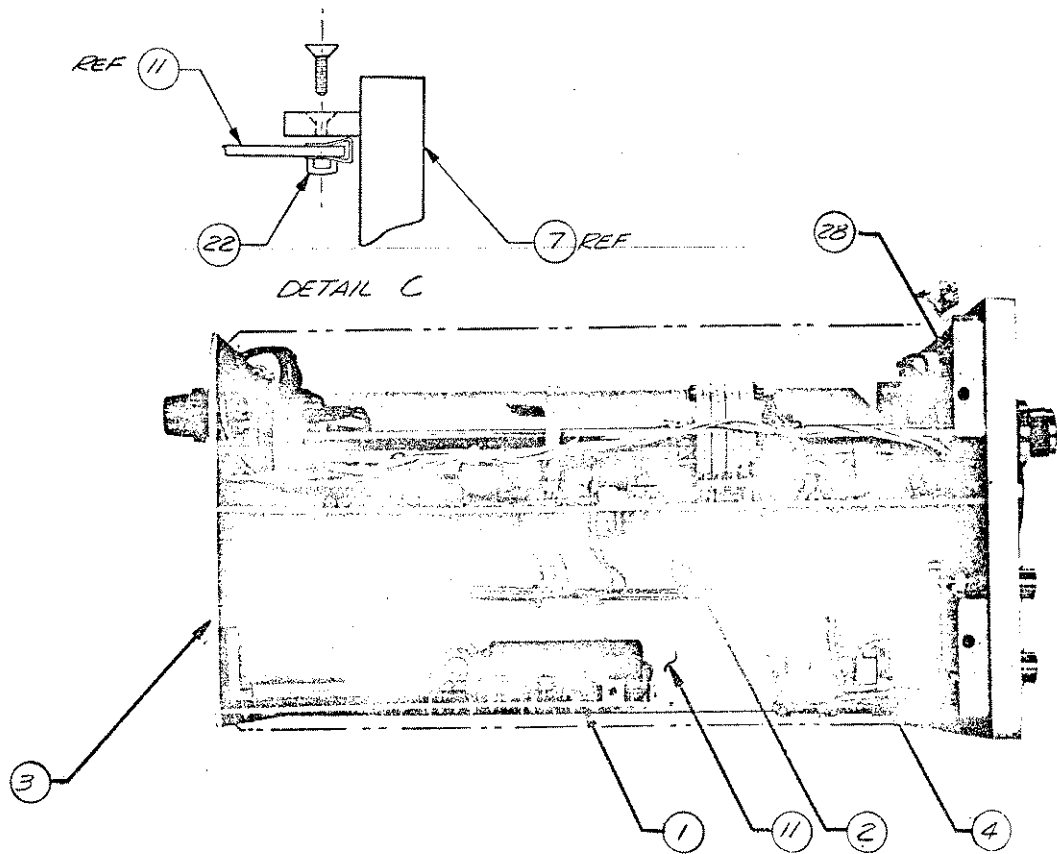
material *N/A* title **CHASSIS ASSY**

model no. *142* dwg no. *D142-000* rev *D*

finish *N/A*

this document contains proprietary information and design rights belonging to WAVETEK and may not be used or reproduced for any reason except calibration operation and maintenance without written authorization.

131
28
29
30
31



NOTES: UNLESS OTHERWISE SPECIFIED  
 \* INDICATES ITEMS NOT SHOWN

PARTS LIST				
ITEM	REF	DES	DESCRIPTION	MFG. MFG. NO. QTY.
1			POWER SUPPLY ASSY	WAVETEK D144-011 1
2			MAIN BOARD ASSY	D142-010 1
3			REAR FLATE ASSY	D142-001 1
4			BRACKET ASSY	D142-002 1
* 5			BAIL KIT	B130-507 1
6				
7			CASTING, MODIFICATION	B130-315 1
* 8			CASTING, REAR	B134-5203 1
9			FRONT PANEL	3-3025-1 1
* 10			REAR PANEL	B142-50 1
11			SIDE PLATE	C150-315 1
12			DIAL	B130-315 1
13			DIAL KNOB	3-3025-1 1
14			COAXIAL KNOB	3-3025-1 1
15			SMALL KNOB	3-354 1
16			STANDARD KNOB	3-354 1
* 17			COVER	C150-315 1
* 18			COVER SUPPORT	A150-315 1
19			INDICATOR LENS	A150-315 1
* 20			FASTENER	TINNERMAN 1/4" x 1/2" 1
* 21			CAPTIVE SCREW	GEUSTEK 1/4" x 1/2" 1
22			CLIP NUT	SHOULDER 1/4" x 1/2" 1
23			SHOULDER WASHER	1/4" x 1/2" 1
24			SCREW W/L	1/4" x 1/2" 1
25			BUSHING	1/4" x 1/2" 1
* 26			CHASSIS FASTENER	1/4" x 1/2" 1
* 27			FASTENER	CARD 1/4" x 1/2" 1

NO  
1.

I1  
ON  
INDICATOR

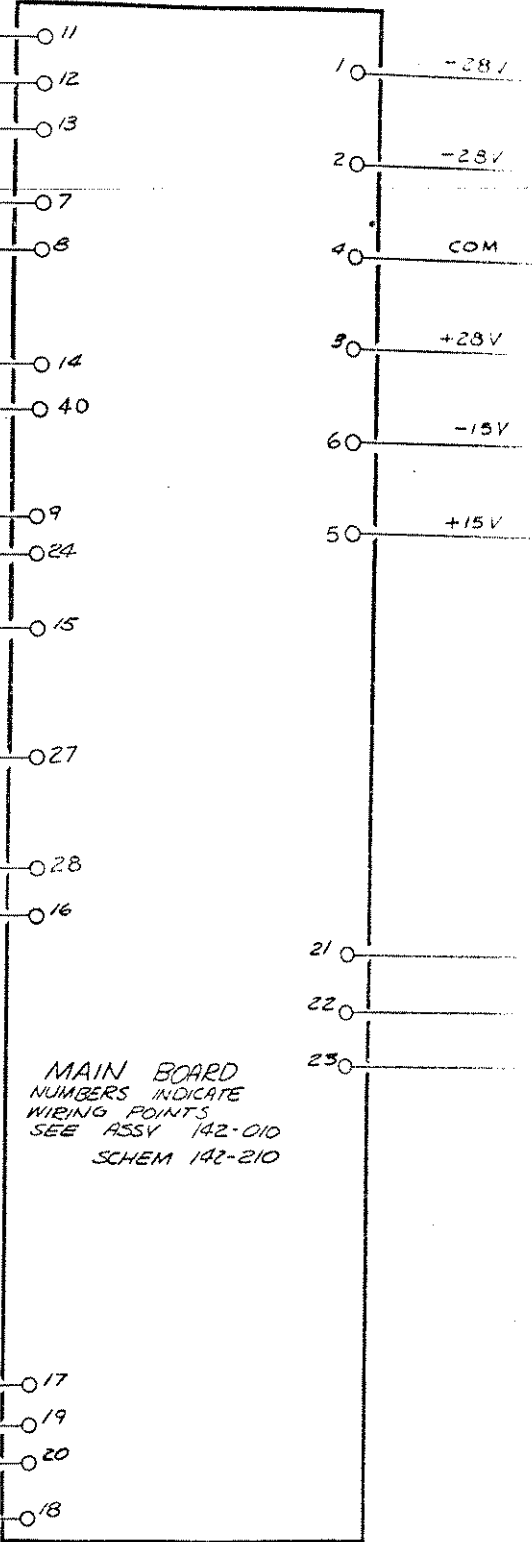
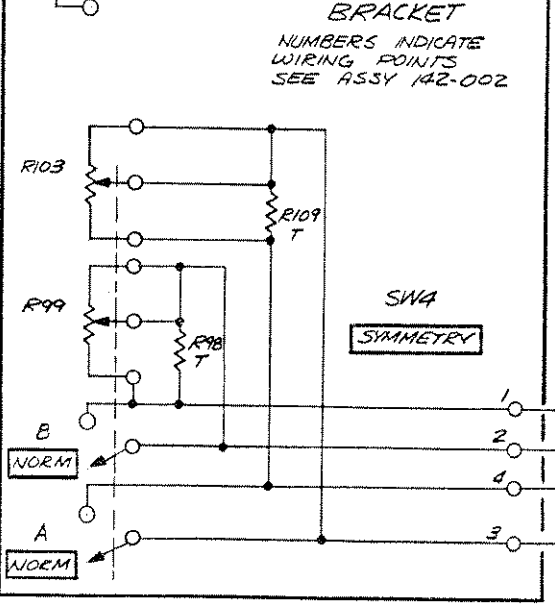
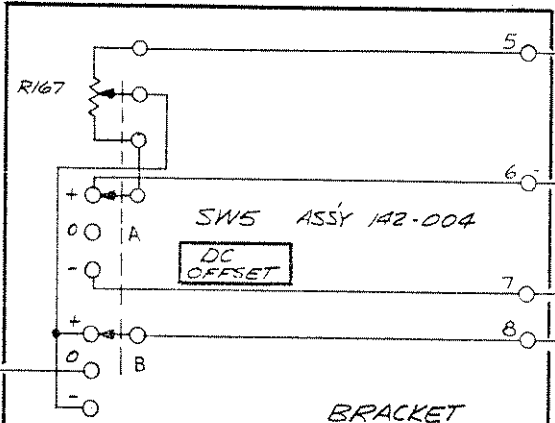
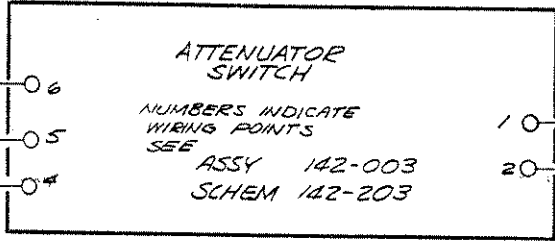
R82  
FREQ  
DIAL

J2  
SYNC  
OUT

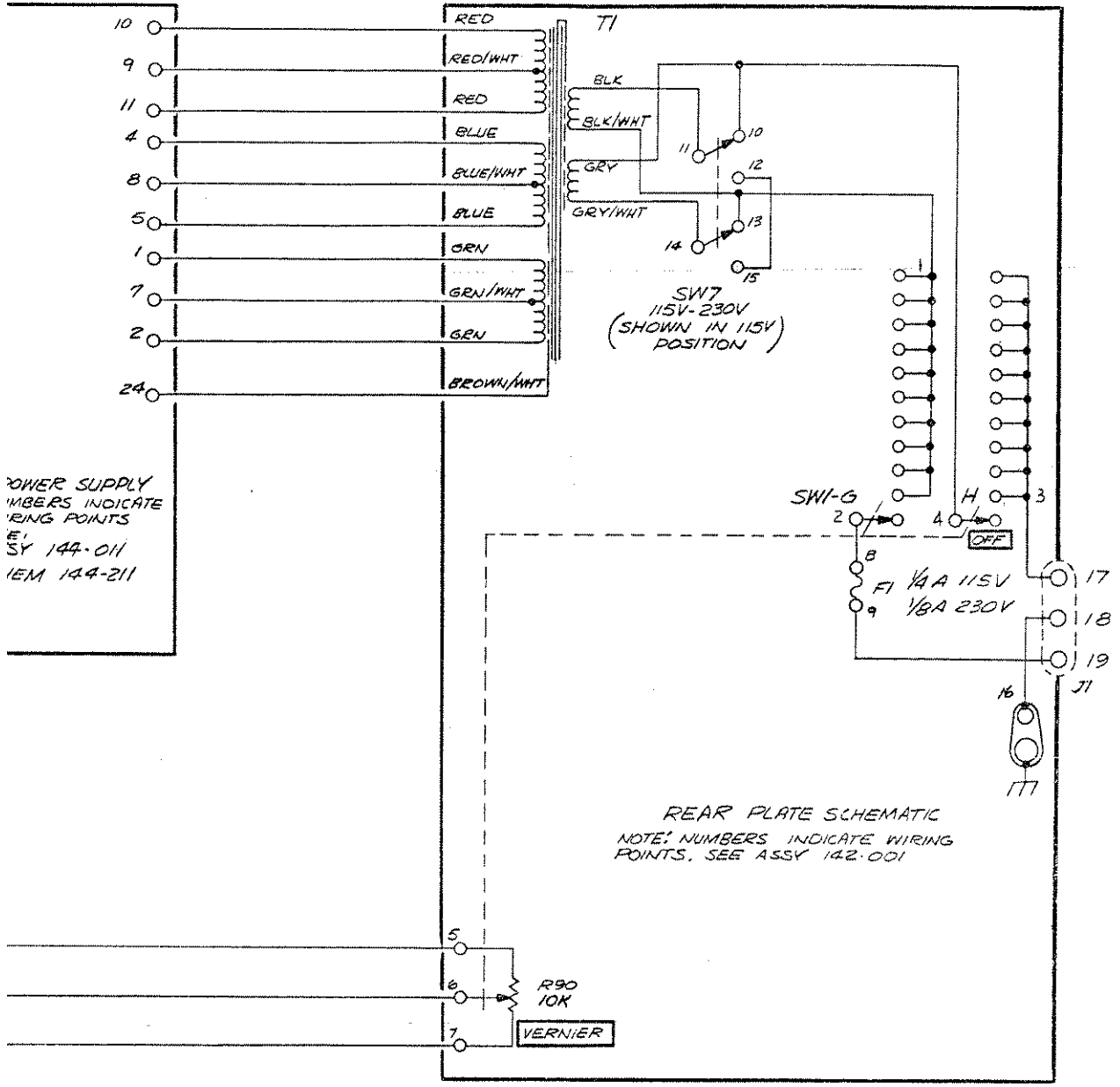
J4  
50Ω  
OUT

J3  
VCG  
IN

J5  
EXT DC  
OFFSET



- 11
- 12
- 13
- 7
- 8
- 14
- 40
- 9
- 24
- 15
- 27
- 28
- 16
- 21
- 22
- 23
- 1
- 20
- 4
- COM
- 3
- +28V
- 6
- 15V
- 5
- +15V



F  
NU  
W  
SE  
AS  
SCA

tolerance unless otherwise specified	rev	ecn	by	date	app.
XXX ± .010 XX ± .030					
scale N/A	WAVETEK san diego, calif				
material	BY: M. BOCHNER date: 6-3-70 app: K. S. L.				
N/A	title SCHEMATIC CHASSIS				
finish	model no.	dwg no.	rev		
N/A	142	142-200	A		
this document contains proprietary information and design rights belonging to WAVETEK and may not be used or reproduced for any reason except calibration, operation, and maintenance without written authorization.					

ITEM	REF DES	DESCRIPTION	MFG#	MFG# NO.	QTY
PARTS LIST					
72		RESISTORS			
73	R230, R231, R232, R233, R234, R235, R236	CARBON, 1/2W, 5% 100Ω	STADLER	RC206F101J	11
74	R241	5% 200Ω		201J	1
76	R28, R131	10% 220Ω		221K	2
77	R23, R24, R25, R26	5% 240Ω		241J	4
78	R27, R28, R29, R30	10% 270Ω		271K	3
79	R26, R26	330Ω		331K	2
80	R234	560Ω		561K	1
81	R100	5% 750Ω		751J	1
82	R103, R104, R133, R134	1K		102K	4
83	R27, R25, R25	1.1K		112J	2
84	R26, R20	10% 1.2K		122K	2
85	R27, R28, R29, R30, R105, R105, R111, R114, R117, R119, R120, R122, R123, R123	1.5K		152K	13
86	R28, R22	5% 1.6K		162J	2
87	R20, R241	10% 2.2K		222K	2
88	R244	5% 2.4K		242J	1
89	R239	12% 3.3K		332K	1
90	R29	3.9K		392K	1
91	R25, R236	5% 5.1K		512J	2
92	R27, R31	6.2K		622J	2
93	R20	2K		202J	1
94	R16, R20	7.5K		752J	2
95	R17, R28	8.2K		822K	2
96	R5, R12, R27	10% 10K		102K	3
97	R22, R25	5% 18K		182J	2
98	R189	56K		562J	1
99	R23, R26, R140	10% 100K		104K	3
100	R25	5% 130K		134J	1
101	R106, R118, R121	10% 470K		474K	4
102	R21	5% 1.6M		165J	1
103	R28	3.9M		395J	1
104	R22	10% 6.8M		685K	1
105	R24	1M		105K	1
106					
107	R22	SELECTED VALUE			1
108	R148	SELECTED VALUE			1
109					
110					
111					
112					
113					
114					
115					
116	R153, R156	METAL FILM, 1/4W, 1% 215Ω	CORNING	ENG60D	2
117					
118	R23	56.4Ω			1
119	R223, R226	43.9Ω			4
120	R158, R161, R162	56.2Ω			3
121	R149	82.5Ω			1
122	R28	150Ω			2
123	R24, R28, R250, R235, R254	316Ω			8
124	R160	453Ω			1
125	R48, R14	499Ω			2
126	R49, R50, R151, R152	511Ω			4
127	R150	525Ω			1
128	R101, R110, R115, R116	1K(-49)			4
129	R251	1.21K			1
130	R7, R240	1.91K			2
131	R23, R251, R163, R251	2.37K			4
132	R24, R27	2.37K			2
133	R15, R22	3.65K			2
134	R2	3.83K			1
135	R23	4.32K			1
136	R23, R26	4.99K			2
137	R70, R71	8.25K			2
138	R26	15K			1
139	R271	249Ω			1
140	R155, R140	10% 1K 1%			2
141	R155, R141	1% 10K -50			2
142	R17, R142	100K 1%			2
143	R15, R143	1M 1%			2

ITEM	REF DES	DESCRIPTION	MFG#	MFG# NO.	QTY
PARTS LIST					
144		METAL FILM, 1/4W, 1%	CORNING	ENG60D	
145	R229	3.32K			1
146	R243, R245	6.28K			2
147	R244	30.1K			1
148	R159, R144	10M			2
149					
150					
151					
TRANSISTORS					
152	Q52	2N2905A	MOTOROLA	2N2905A	1
154	Q6, Q50	2N3563	FAIRCHILD	2N3563	2
155	Q30, Q31	2N3563(-52)		2N3563	2
156	Q20, Q21	2N3638		2N3638	2
157					
158	Q51	2N3640		2N3640	1
159	Q19	2N3642		2N3642	1
160	Q4, Q7, Q17, Q34	2N3646		2N3646	4
161	Q53	2N2219A(-66)	MOTOROLA	2N2219A	1
162	Q3, Q8, Q11, Q14, Q16, Q18, Q32, Q33, Q35	2N5139	FAIRCHILD	2N5139	9
163	Q54	2N4047	MOTOROLA	2N4047	1
164	Q23, Q24	2N5462(-55)		2N5462	2
165	Q1, Q2, Q26, Q29	2N5485(-53)		2N5485	6
166	Q22, Q25	2N5485(-54)		2N5485	2
167	Q10, Q12, Q13, Q15	108		108	4
168	Q55	2N5160		2N5160	1
169					
170	I1	LAMP	MURA	128/40	1
171					
172					
173					
174					
175					
176					
177					
178					
179		MAIN BOARD	WAVETEK	142-110J	1
180					
181	A1	SINE MODULE		142-011	1
182	SW2, R12	SWITCH ASSY		142-008	1
183	SW1			142-007A	1
184					
185	A	AMP PINS	AMP	6182-2	20
186					
187					
188		TRANSIPAD	M.ROSS	10123A	3
189				10160	2
190					
191		HEATSINK	FAIRCHILD	207	2
192			FEDERALDY	1503AEB	2
193		TERMINALS	USECO		
194	TI			E0008	6
195					
196					
197					
198					
199					

S	ECN # 1153	R <sub>0</sub>	1/24/68
R	791, 793, 832	EDA	1/31/70
Q	ECN 445	2-1	1/16/70
P	ECN 428	1-2	2/1/70
N	ECN 408	S	2/1/70
M	379	E6	1/4/70
L	371	NG	2/22/70
K	363	NG	2/27/70
J	358	DR	1/28/70
H	337	DR	1/28/70
G	ECN 321	NG	1/28/70

tolerance unless otherwise specified  
 .xxx ± .010  
 .xx ± .030

rev \_\_\_\_\_ ecn \_\_\_\_\_ by \_\_\_\_\_ date \_\_\_\_\_ opp. \_\_\_\_\_

scale N/A by GRAY date 01/29/70 opp. \_\_\_\_\_

material N/A title ASSY MAIN BOARD

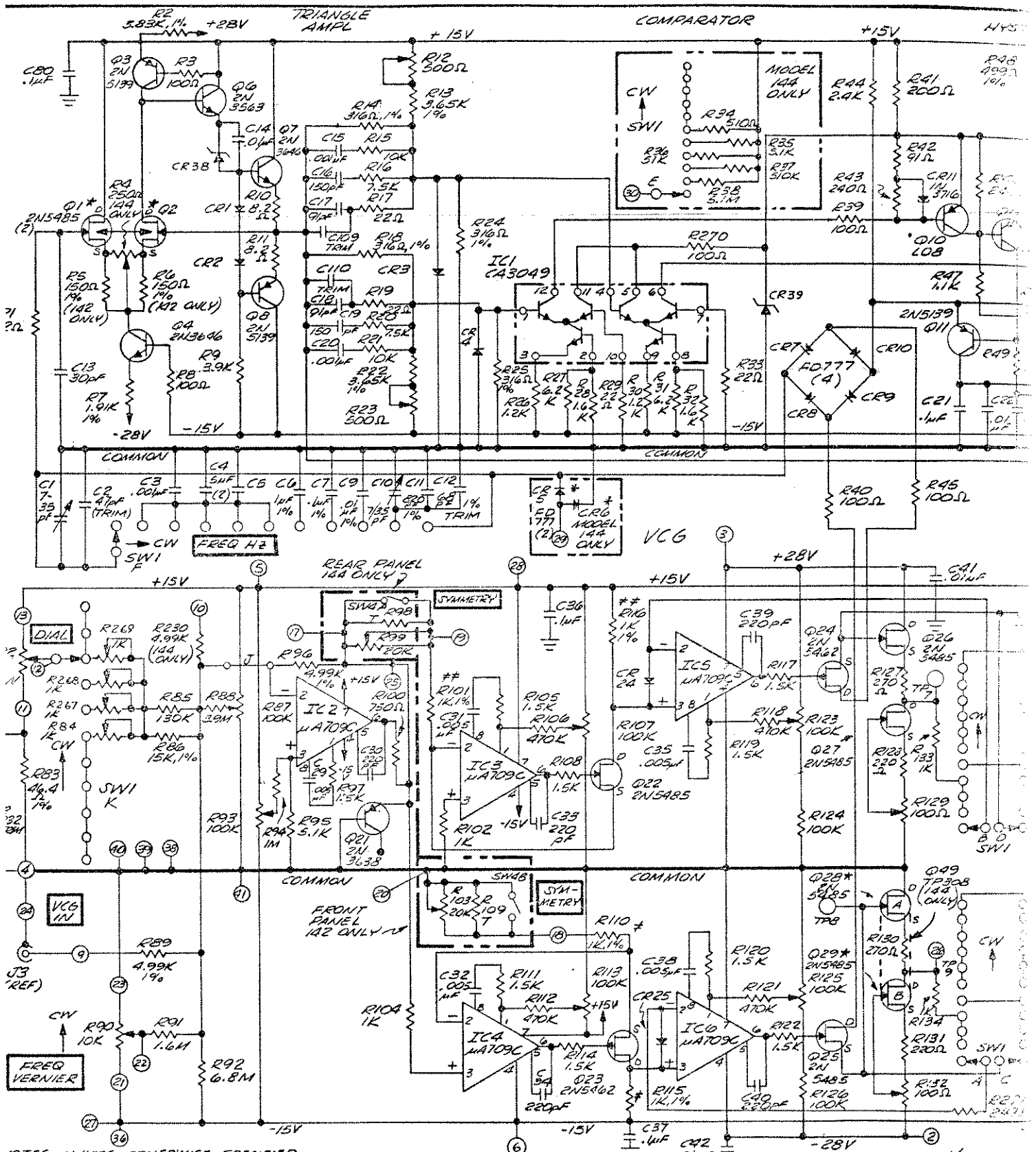
model no. 142 dwg no. 347 2 OF 2 rev 5

finish N/A

This document contains proprietary information and design rights belonging to WAVETEK and may not be used or reproduced for any reason except calibration, operation, and maintenance without written authorization.

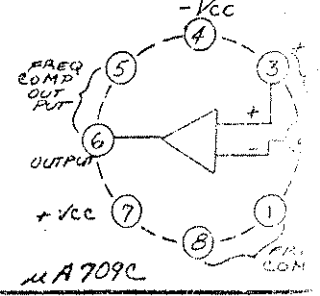
40  
50  
60  
70  
80  
90  
100  
110  
120  
130  
140  
150  
160  
170  
180  
190  
200  
210  
220  
230  
240  
250  
260  
270  
280  
290  
300  
310  
320  
330  
340  
350  
360  
370  
380  
390  
400  
410  
420  
430  
440  
450  
460  
470  
480  
490  
500  
510  
520  
530  
540  
550  
560  
570  
580  
590  
600  
610  
620  
630  
640  
650  
660  
670  
680  
690  
700  
710  
720  
730  
740  
750  
760  
770  
780  
790  
800  
810  
820  
830  
840  
850  
860  
870  
880  
890  
900  
910  
920  
930  
940  
950  
960  
970  
980  
990  
1000



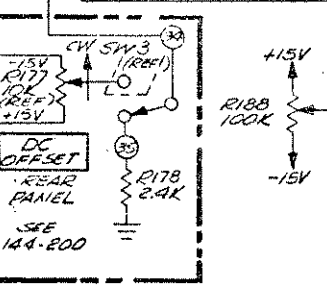
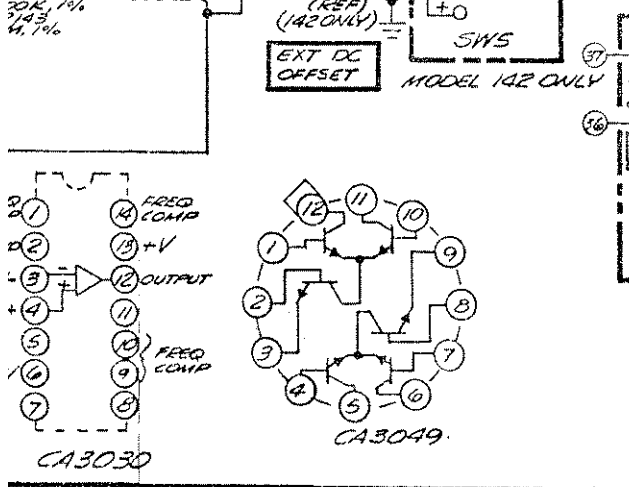
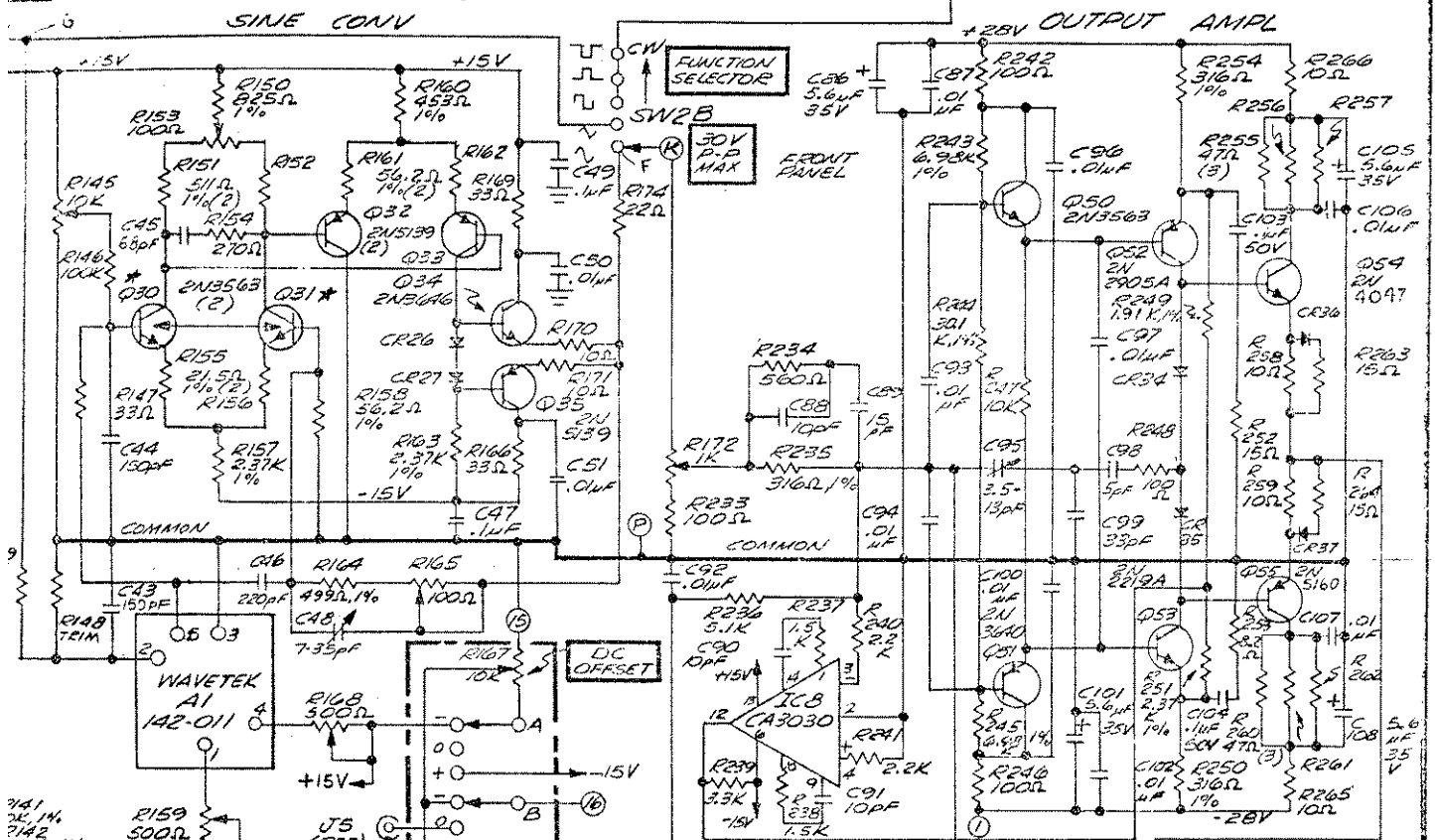
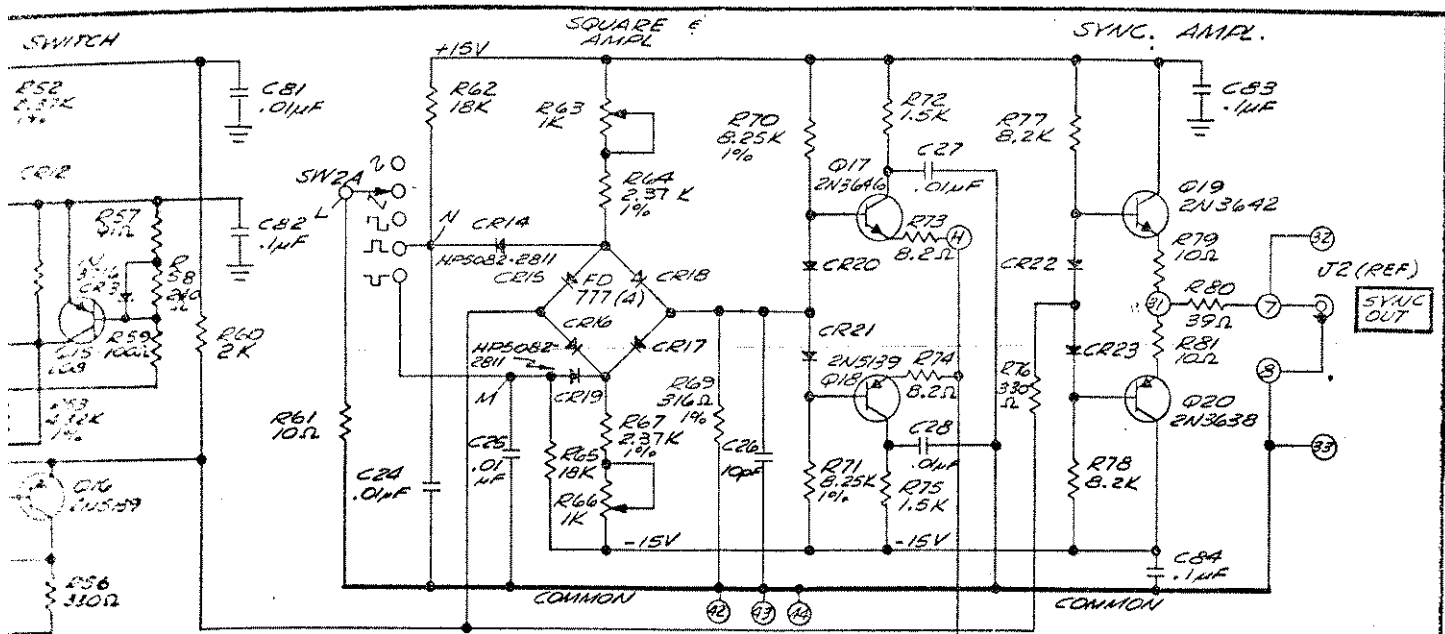


NOTES: UNLESS OTHERWISE SPECIFIED  
 1. RESISTORS ARE CARBON, 1/2W, 10%  
 2. DIODES ARE 1N4004  
 3. \* INDICATES MATCHED PAIRS Q1, Q2, Q28, Q29, Q30, & Q31  
 4. \* INDICATES MATCHED PAIRS CR5 & CR6  
 5. \* INDICATES MATCHED PAIRS R10, R15  
 6. \*\* INDICATES MATCHED PAIRS R10, R18  
 7. NUMBERED CIRCLES, I.E. (1) ETC., INDICATE WIRING INTERCONNECTION POINTS, SEE 142-200 OR 144-200  
 8. ZENER DIODES ARE SELECTED PER WAVETEK SPEC 130-506 (CR38, CR39)  
 9. C12, C17, C18 ARE SELECTED, NOMINAL VALUE SHOWN

LAST REF DESIG  
 R271 Q55  
 C110 ICB  
 CR39 AI



1  
2  
3  
4  
5  
6  
7  
8  
9



C	337, 338	96	1/4W
B	ECN 321	N/S	200000000
A	ECN 312	MA	100000000

tolerance unless otherwise specified	rev	ecn	by	date	app
XXX ± 010					
XX ± 030					

Scale	N/A	by	DATE	APP
material <td></td> <td></td> <td></td> <td></td>				

material	title
N/A	SCHEMATIC MAIN BOARD

part no.	draw no.
142/144/D142-210	M

H	271, 272, 272	E	2077
G	ECN 408	A	11/10/70
F	ECN 332	A	11/10/70
E	ECN 371	W	11/10/70
D	ECN 363	W	11/22/70
REV	ECN	BY	DATE





PARTS LIST

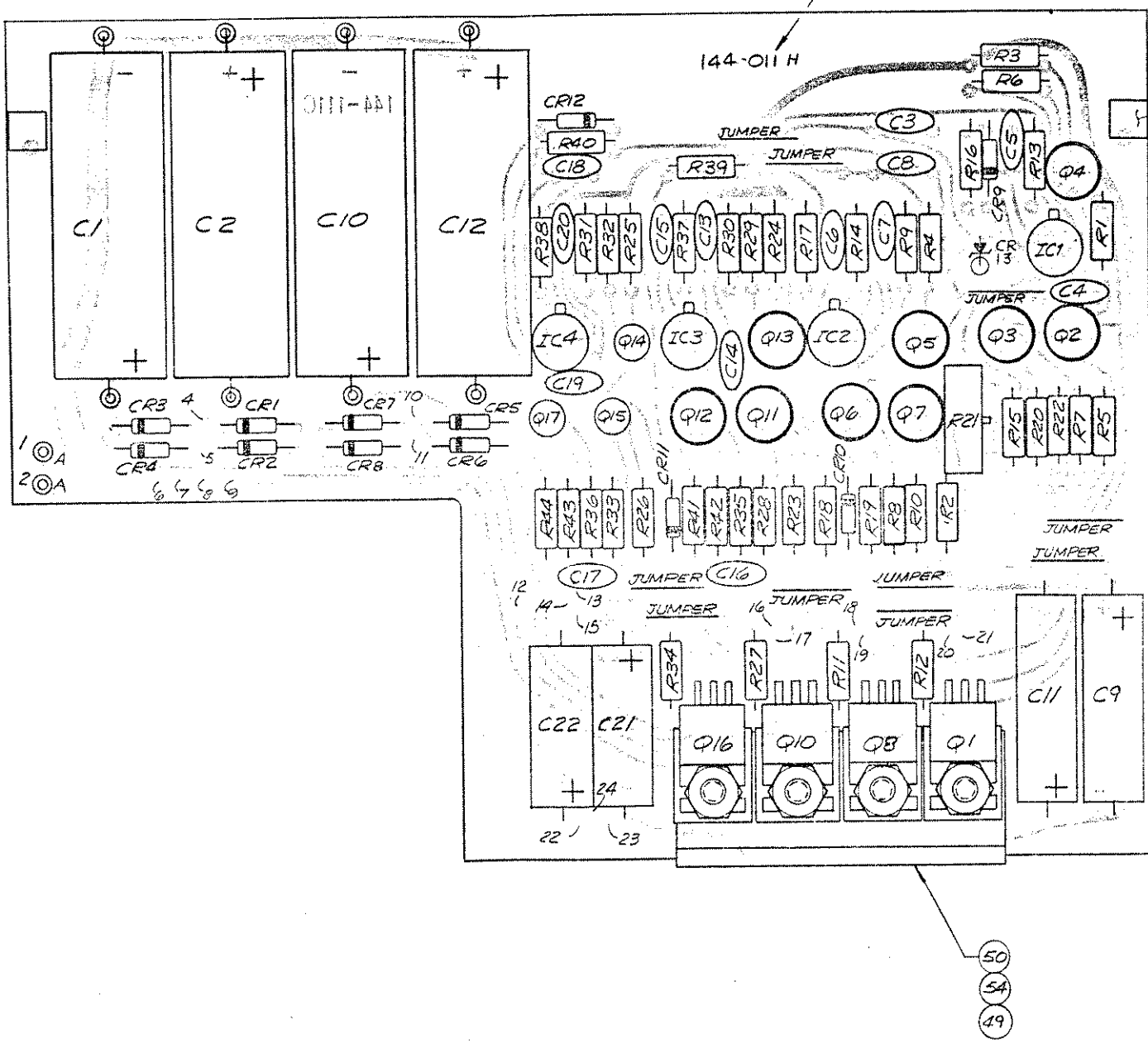
ITEM	REF DES	DESCRIPTION	MFR	MFR NO	QTY
1	C4, C7, C14, C19	CERAMIC DISC, 1000V, 10%, 220PF	CRL	DD221	4
2	C3, C8	20V .1uF		UK20-10A	2
3	C13, C16, C17, C20	50V .01uF		CK103	4
4	C5, C6, C15, C18	.005uF		CK502	4
5	C21, C22	ELECTROLYTIC, 10%, 50V, 50uF	SPRAGUE	S00DS066050DD7	2
6	C9, C11	16V, 250uF		S00DS15150160F7	2
7	C10, C12	50V, 500uF	RICHEY	3A-750-500-50V	2
8	C1, C2	35V, 1000uF	SPRAGUE	39D10B6035GL4	2
9					
10					
11					
12					
13	CR1-CR8	DIODE	SEMTECH	SCE-1	8
14	CR9-CR12		FAIRCHILD	FD6606	4
15	CR13	ZENER	130-506	WAVETEK	1
16					
17	IC1-IC4	INTEGRATED CIRCUIT	FAIRCHILD	LA709C	4
18					
19					
20	Q5-Q7	TRANSISTOR	FAIRCHILD	2N3638	3
21					
22	Q2-Q4, Q11-Q13			2N3642	6
23	Q4, Q5, Q17			2N4248	3
24	Q1, Q10		TEXAS INST	TIP 29	2
25	Q8, Q16			TIP-30	2
26					
27	R21	POTENTIOMETER 1K	CRL	BA1603-803	1
28					
29		RESISTORS			
30	R11, R12, R27, R34	CARBON 1/2W 5% 4.7Ω	STACKPOLE	RC206F47J	4
31	R3, R4	10% 470Ω		RC206F471K	2
32	R5, R10	560Ω		RC206F561K	2
33	R28, R33	680Ω		RC206F681K	2
34	R13, R14, R27, R38	1.5K		RC206F152K	4
35	R6, R7, R29, R32	2.2K		RC206F222K	4
36	R16	3.9K		RC206F392K	1
37	R1, R2, R17, R23-R26, R39, R40	4.7K		RC206F472K	9
38	R7, R8	9.1K		RC206F912K	2
39	R35, R36	18K		RC206F183K	2
40	R30, R31	39K		RC206F393K	2
41					
42					
43	R15	METALFILM 1/4W 1% 2.87K	CORNING	RN60D	1
44	R22	6.19K			1
45	R20, R21, R24	8.25K			3
46	R42, R43	9.53K			2
47	R18, R19	10K (-G4)			2
48	A	AMP PINS	AMP	Q1102-2	2
49		SHOULDER WASHER	RCA	KA13A-100/415334-7	4
50		INSULATOR		142-311	4
51		TRANSIPADS	MILTON ROSS	10123N	9
52		CHASSIS BLOCK	USECO	1591-B11	2
53					
54		BRACKET	WAVETEK	B142-303A	1
55		CIRCUIT BOARD		144-111C	1

52

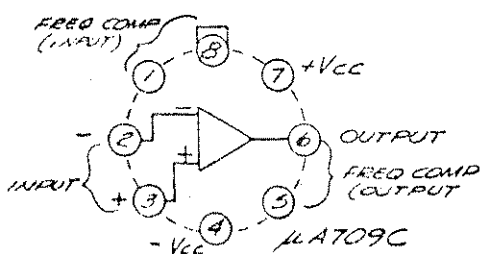
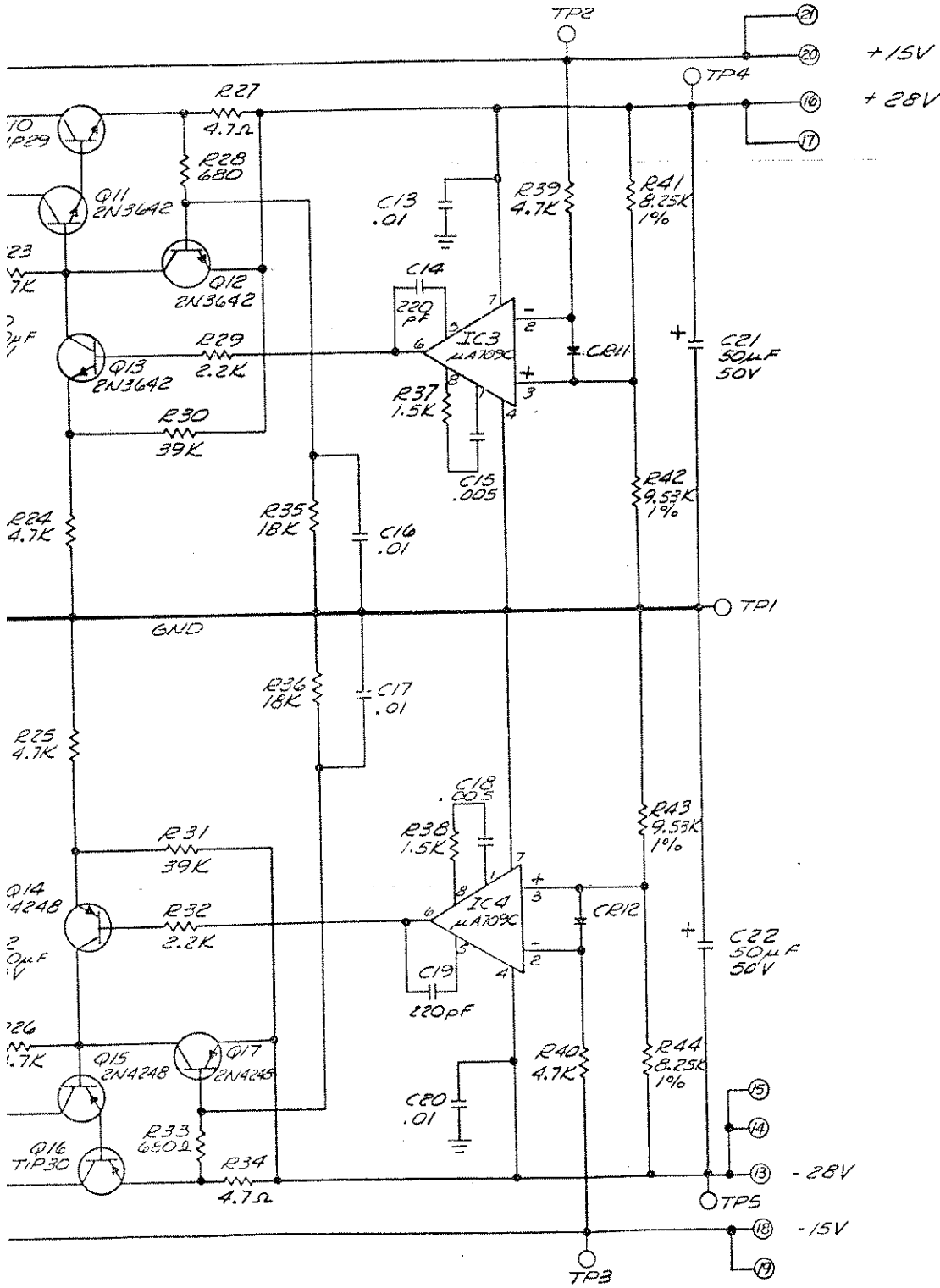
55

tolerance unless otherwise specified	rev	ecn	by	date	app.
.XXX ± .010 XX ± .030					
scale TWICE	WAVETEK		san diego, calif		
material	by BOUCHER	date 5-8-70	app K.S. 20		
J ECN 832	N/A				
H ECN 428	N/A				
G ECN 409	N/A				
F 379	N/A				
E ECN 374	N/A				
D ECN 353	N/A				
C ECN 327	N/A				
title		ASSEMBLY POWER SUPPLY			
model no.	142/144	dwg no.	D144-011		
This document contains proprietary information and design rights belonging to WAVETEK and may not be used or reproduced for any reason except calibration, operation and maintenance without written authorization.					

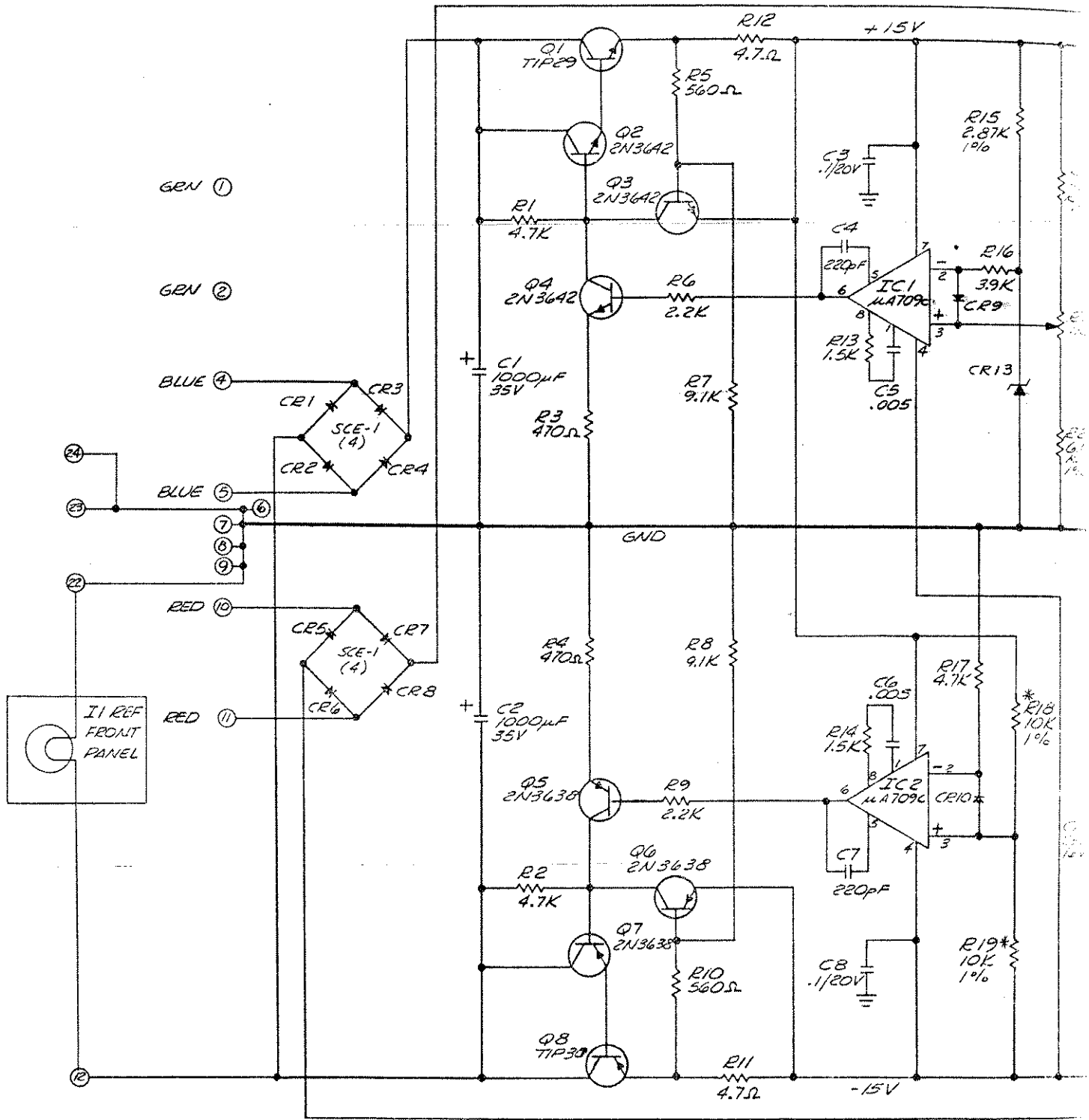
RUBBER STAMP ASS'Y NO  
A5 SHOWN



NOTES: UNLESS OTHERWISE SPECIFIED  
 1. NUMBER INDICATE WIRE TERMINATION POINTS,  
 FOR MODEL 142 SEE D142-200  
 FOR MODEL 144 SEE D144-200



	A	ECN 353	HW	4/21/70	
tolerance unless otherwise specified	rev	ecn	by	date	app.
.XXX ± .010 XX ± .030	<b>WAVETEK</b> san diego, calif				
scale N/A	by	DATE	3-27-70	app	K.S.#0
material	title SCHEMATIC				
N/A	VCG POWER SUPPLY				
finish	model no.	dwg no.	rev		
N/A	142/144	D144-211	A		
this document contains proprietary information and design rights belonging to WAVE TEK and may not be used or reproduced for any reason except calibration operation and maintenance without written authorization.					



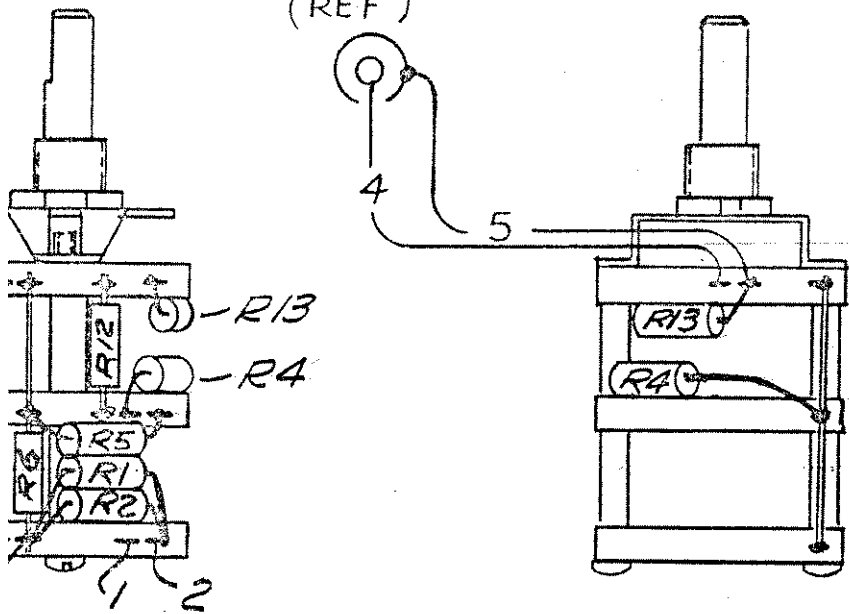
- NOTES: UNLESS OTHERWISE SPECIFIED
1. \* INDICATES MATCHED PAIR, R18 & R19
  2. RESISTORS ARE CARBON, 1/2W, 10%
  3. DIODES ARE FD 6666
  4. CIRCLED NUMBERS, I.E. ① ETC, ARE WIRING INTERCONNECTION POINTS.  
FOR MODEL 142 SEE 142-200  
FOR MODEL 144 SEE 144-200
  5. ZENER DIODES ARE SELECTED PER WAVETEK SPEC 130-506 (CR13)

LAST REF DESIG

R44	IC4
C22	F1
CR13	Q17
II	TI

50Ω OUT

(REF)

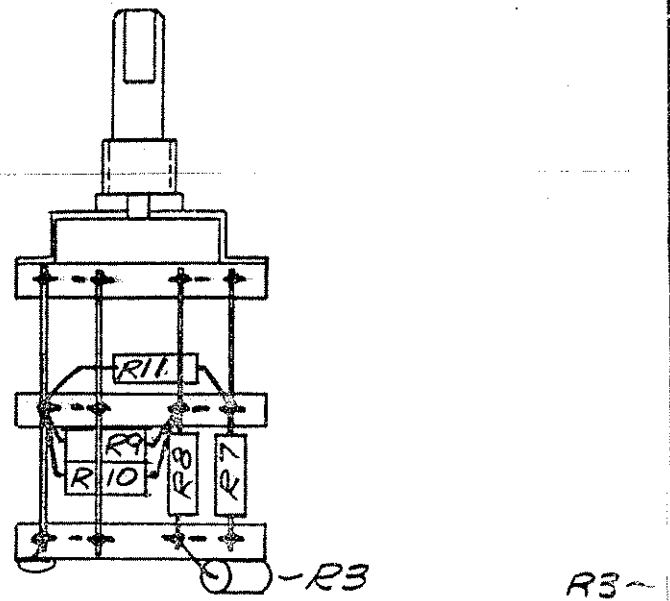
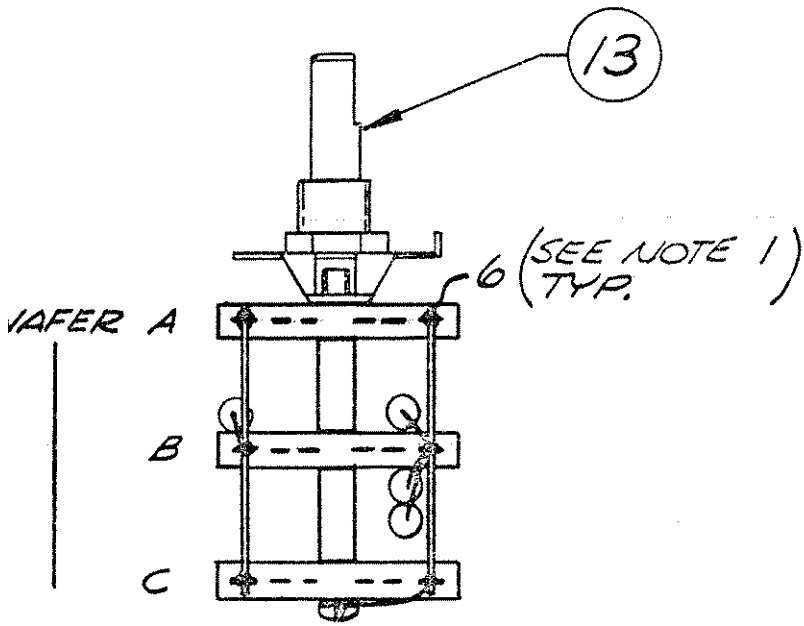


<u>LIST</u>			
	MFGR	MFGR NO.	QTY
1/4W 1% 54.9Ω	COPNING	RN60D	1
59Ω			2
27.4Ω			1
61.9Ω			1
71.5Ω			1
196Ω			4
249Ω			1
825Ω			2
ASS'Y	WAVETEK	A130-SWIB	1

B	ECN 408	S	1/17	S
A	ECN 321	N	1/14	KS

REV	ECN	BY	DATE	APP
WAVETEK SAN DIEGO, CALIF.				
SCALE	N/A	BY	DATE	APP
MATERIAL	TITLE			
N/A	ASSEMBLY ATTENUATOR			
FINISH	MODEL NO	DWG NO	REV	
N/A	142/44	B/142-003	B	

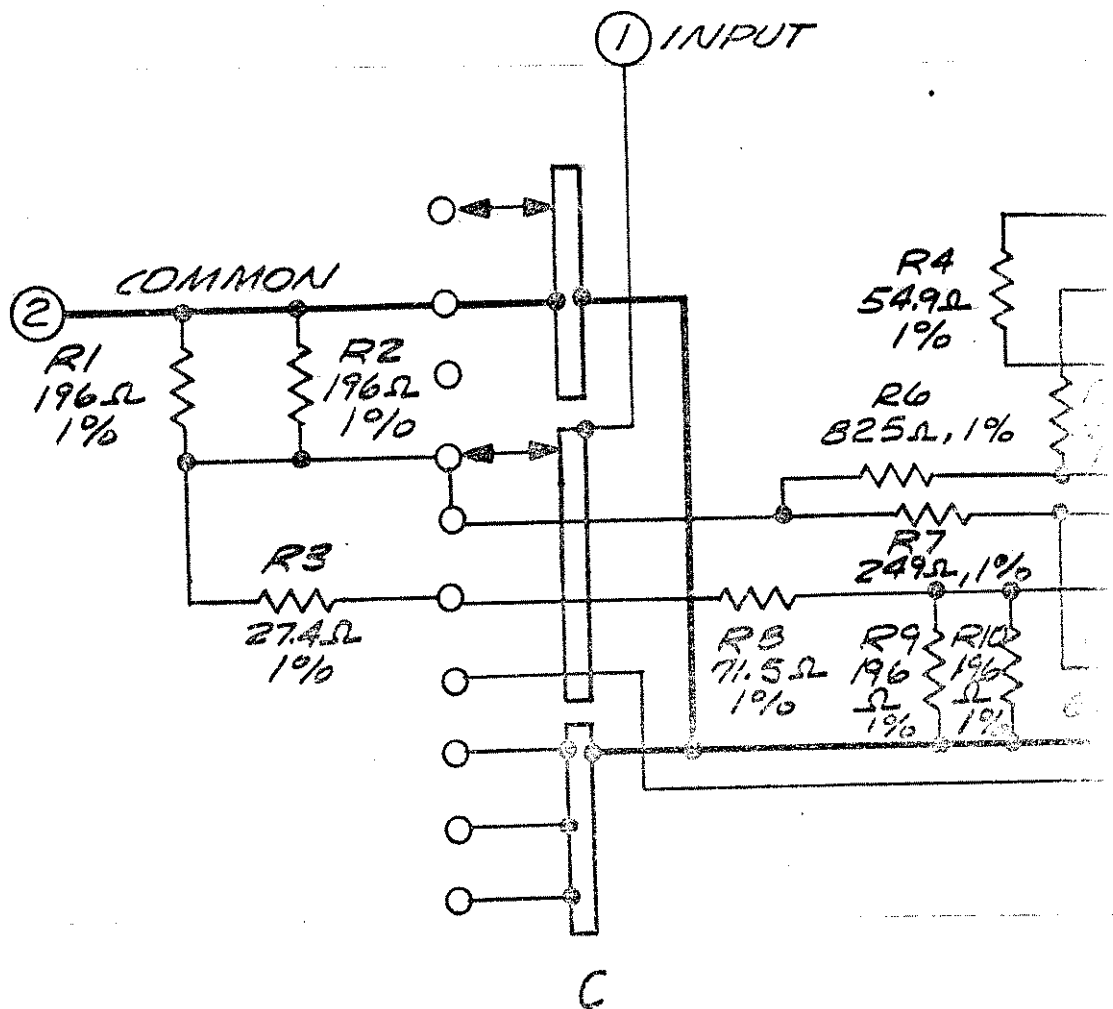
THIS DOCUMENT CONTAINS PROPRIETARY INFORMATION AND DESIGN RIGHTS BELONGING TO WAVETEK AND MAY NOT BE REPRODUCED FOR ANY REASON EXCEPT CALIBRATION, OPERATION, AND MAINTENANCE WITHOUT WRITTEN AUTHORIZATION.



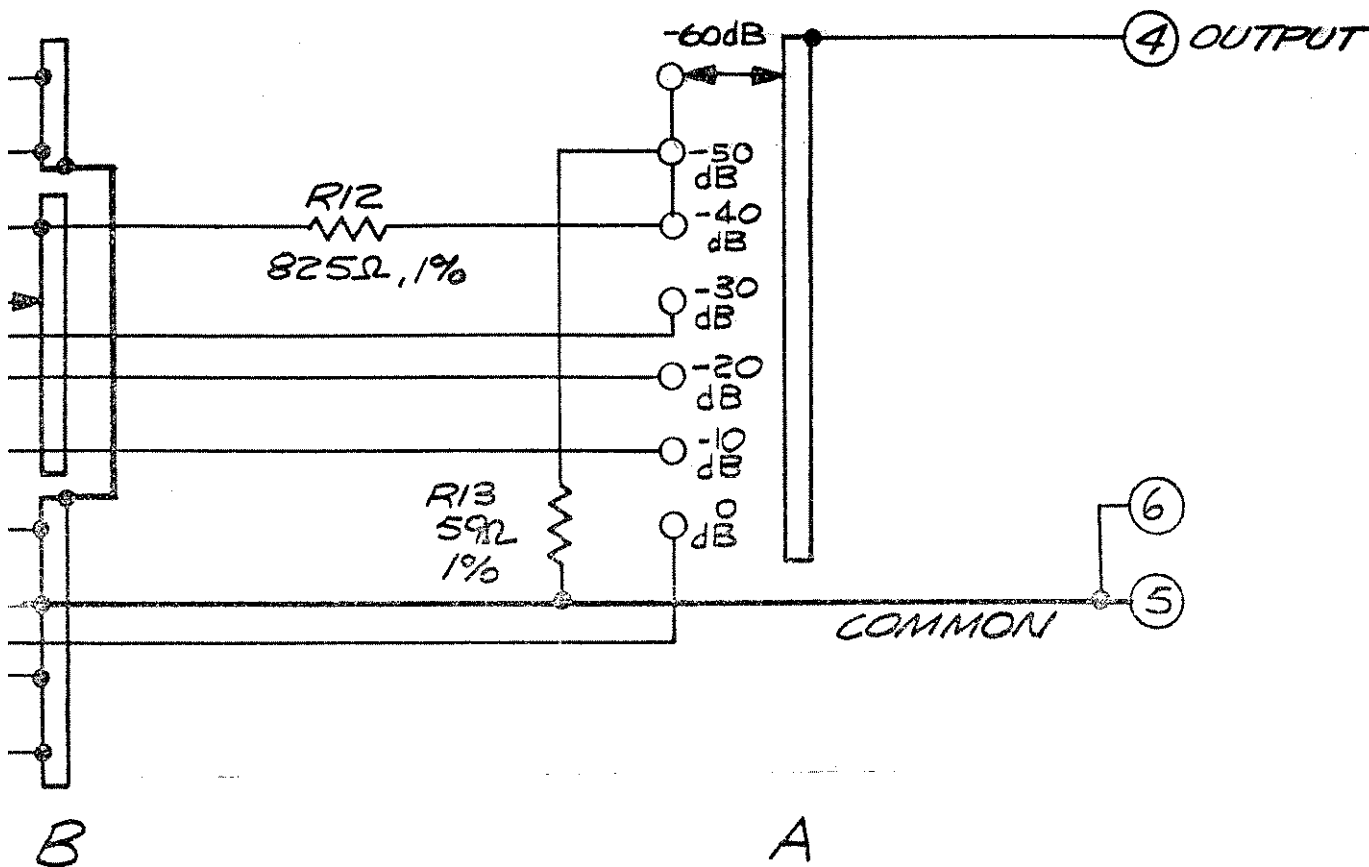
### PARTS

ITEM	REF DES	DESCRIPT.
1	R4	METALFILM
2	R5, R13	
3	R3	
4	R11	
5	R8	
6	R1-R2, R9-R10	
7	R7	
8	R6, R12	
9		
10		
11		
12		
13		DETENT #W
14		
15		
16		
17		
18		

NOTES: UNLESS OTHERWISE SPECIFIED  
 1) NUMBERS INDICATE WIRE  
 TERMINATION POINTS.  
 FOR MODEL 142 SEE D142-200  
 FOR MODEL 144 SEE D144-200



NOTES: UNLESS OTHERWISE SPECIFIED  
 1. CIRCLED NUMBERS, I.E. (1) ETC, INDICATE  
 WIRING INTERCONNECTIONS.  
 FOR MODEL 142 - SEE 142-200  
 FOR MODEL 144 - SEE 144-200

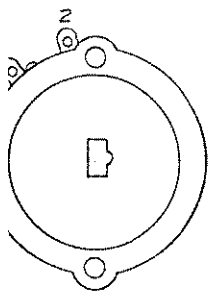


A ECN 321 W 6 12/15/80	
TOLERANCE UNLESS OTHERWISE SPEC	REV ECN BY DATE APP
.XXX : .010	WAVETEK SAN DIEGO, CALIF.
.XX : .030	BY 12/15/80 DATE 5-20-80 AT K.S.P.
ANGLES : 0.20	MATERIAL TITLE
SCALE	SCHEMATIC, ATTENUATOR
FINISH	12/15/80 182-203 A
THIS DOCUMENT CONTAINS PROPRIETARY INFORMATION AND DESIGN RIGHTS BELONGING TO WAVETEK AND MAY NOT BE REPRODUCED FOR ANY REASON EXCEPT CALIBRATION, OPERATION, AND MAINTENANCE WITHOUT WRITTEN AUTHORIZATION	

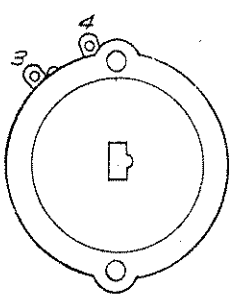


PARTS LIST

ITEM	REF DES	DESCRIPTION	MFR	MFR NO	QTY
1					
2					
3	FI	FUSE 1/4A(5B)(PSV)	LITTELFUSE	313-280	1
4		1/8A (5B) (250V)		MDL 1/8	1
5		HOLDER		342012	1
6					
7					
8	J1	POWER RECEPTACLE	SWITCHCRAFT	LAC3-G	1
9					
10					
11	R90	POTENTIOMETER 10K	WAVETEK	A130-R18	1
12					
13					
14	SWI-G SWI-H	WAFER	WAVETEK	A130-SWI-3	2
15	SW7	SWITCH (115V-230V)	SWITCHCRAFT	46256LF SOLDER GUARD	1
16					
17					
18	T1	TRANSFORMER	WAVETEK	C142-500	
19					
20					
21					
22					
23		PLATE	CTS	008-004	1
24		STANDOFF	SMITH	8480	2
25				8713	4
26		SOLDER LUG		141A-4	1
27		PRESS NUT	ROSAN	MRPN-10-32	2
28		REAR PLATE	WAVETEK	C142-301	1
29					
30					



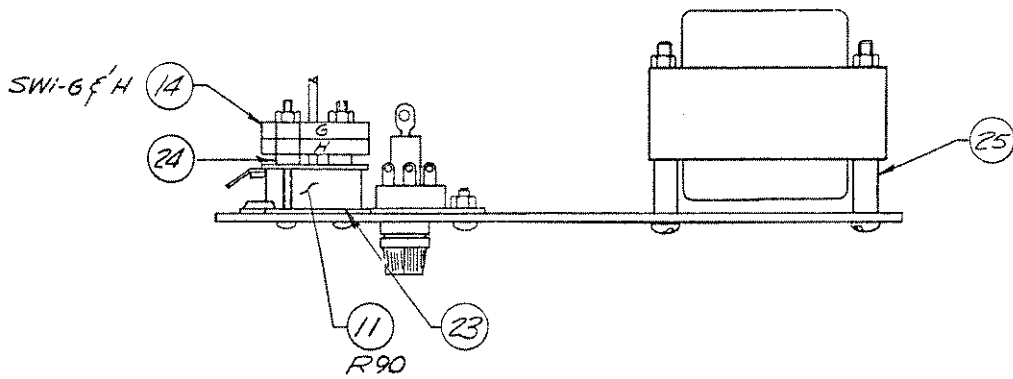
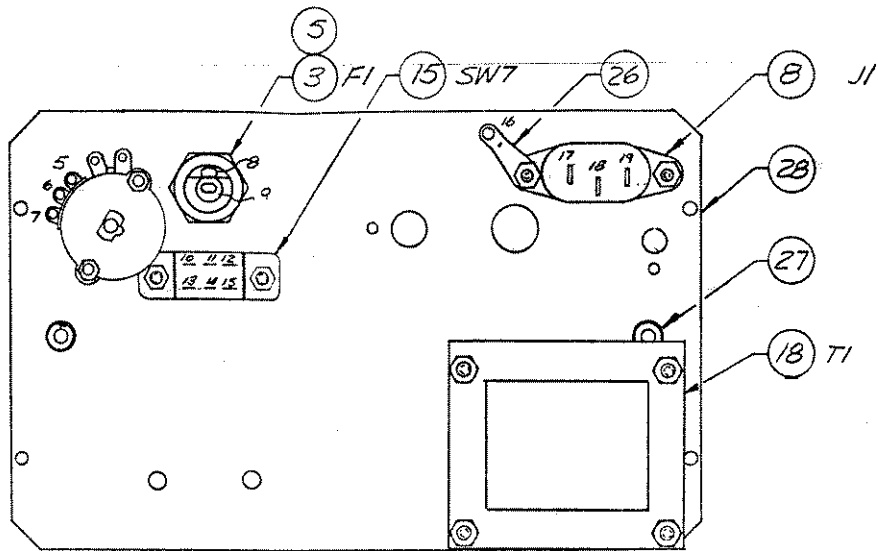
SWI-G



SWI-H

F	ECN 1143	R8	1/15/74
E	ECN 1142	R4	1/15/74
D	ECN 410	S	4/15/73
C	COP 29	A10	1/15/73
B	321	DR6	1/15/73
A	314	DR2	1/15/73

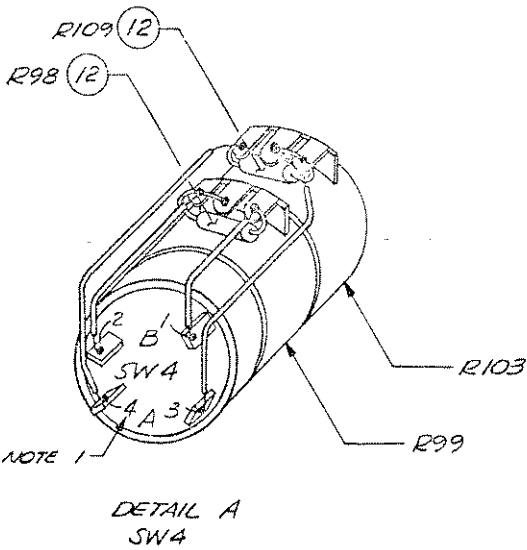
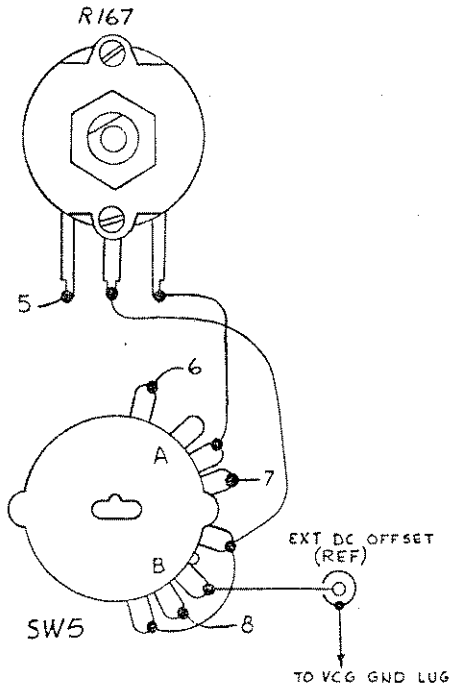
tolerance unless otherwise specified XXX ± .010 XX ± .030	rev	ecn	by	date	app
scale FULL	WAVETEK san diego calif				
material N/A	BY W. P. S. date 5/15/70				
finish N/A	title ASSEMBLY REAR PLATE				
	model no.	dwg no.	rev		
	142	D142-001	F		
this document contains proprietary information and design rights belonging to WAVETEK and may not be used or reproduced for any reason except calibration operation and maintenance without written authorization					



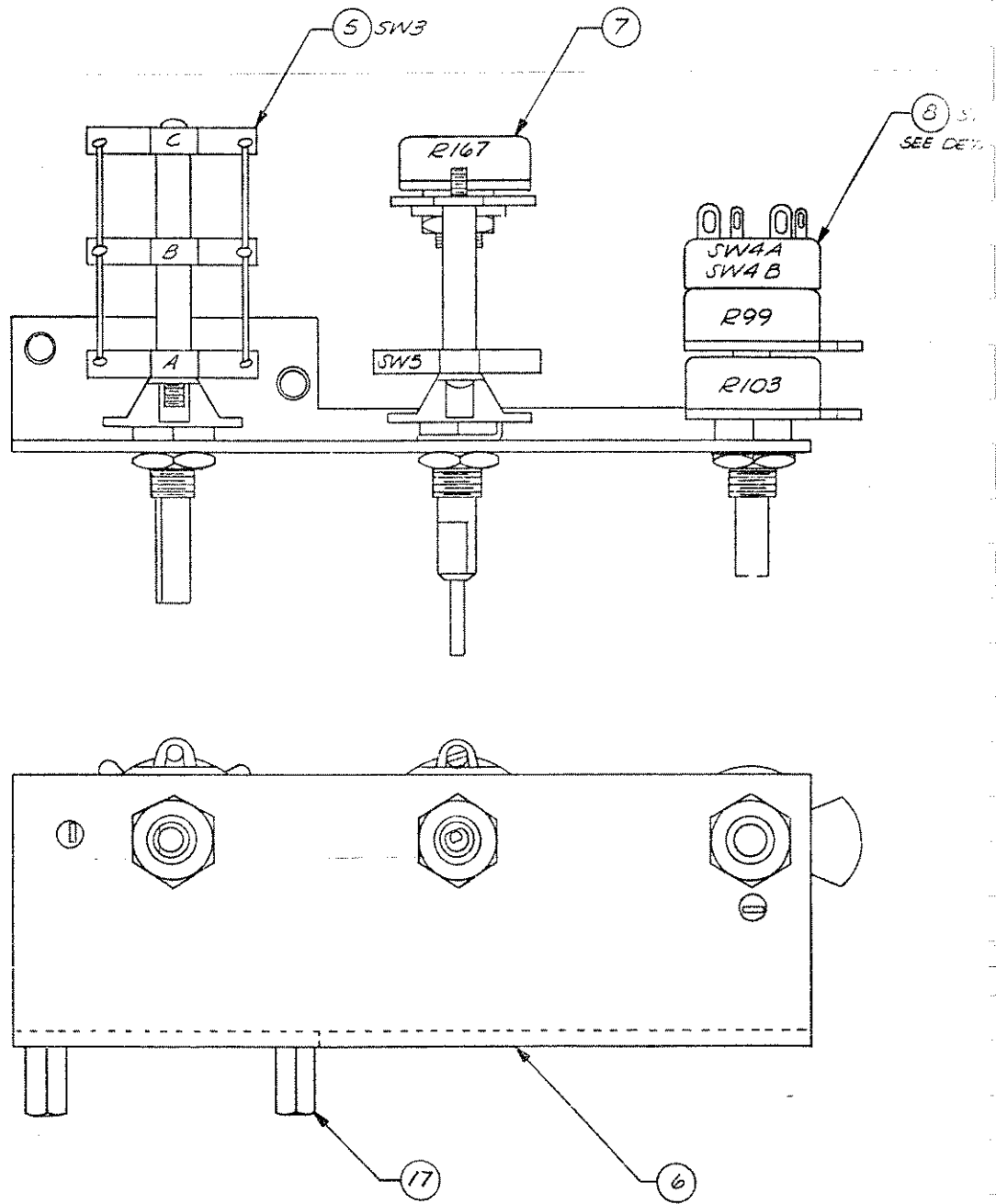
NOTES UNLESS OTHERWISE SPECIFIED  
 1) FOR INTERCONNECTION OF NUMBERED TERMINATIONS, SEE SCHEMATIC D142-200

PARTS LIST

ITEM	REF DES	DESCRIPTION	MRGR	MRGR NO.	QTY
1					
2					
3					1
4					
5	SW3	ATTENUATOR SWITCH ASSY		142-003	1
6		BRACKET		142-304A	1
7	SW5	DC OFFSET SW. ASSY		142-004	1
8	SW4 A+B R99+R103	SYMMETRY POT/SWITCH	CTS	142-R18(45)	1
9					
10					
11					
12	R98,R109	RESISTOR SELECTED		RC20GF	2
13					
14					
15					
16					
17		STANDOFF	USECO	1531B 5/16	2
18					
19					
20					
21					
22					
23					
24					
25					
26					
27					
28					
29					
30					
31					
32					
33					
34					
35					
36					
37					
38					
39					



	A	ECN 321	NG	WV/ASG	
tolerance unless otherwise specified	rev	rcn	by	date	app.
.XXX ± .010 XX ± .030	WAVETEK san diego, calif				
scale 2/11	BY GRAY	DATE 2/12/70	APP	W.C.P.	
material N/A	title ASSY, BRACKET				
finish N/A	model no. 142	dwg no. 142-002	rev	A	
this document contains proprietary information and design rights belonging to WAVETEK and may not be used or reproduced for any reason except collaborative operation and maintenance without written authorization.					



NOTES: UNLESS OTHERWISE SPECIFIED  
 1. NUMBERS INDICATE WIRE TERMINATION POINTS,  
 SEE SCHEMATIC 142-200